

产品目录

CATALOG OF PRODUCTS

用“芯”创造美好生活



HDSC
华大半导体
HUADA SEMICONDUCTOR



上海贝岭
SHANGHAI BELLING

产品目录

Catalog of Products

POWER MANAGEMENT 电源管理

DC/DC STEP-DOWN CONVERTER (降压型DC/DC转换器)	1
DC/DC STEP-UP CONVERTER (升压型DC/DC转换器)	4
CMOS TYPE LDO LINEAR REGULATOR (CMOS型低压差线性稳压器)	6
BIPOLAR TYPE LDO LINEAR REGULATOR (双极型低压差线性稳压器)	11
THREE-TERMINAL POSITIVE REGULATOR (三端稳压器)	11
LI-ION BATTERY CHARGER (锂电池充电芯片)	12
LI-ION BATTERY PROTECTION (锂电池保护芯片)	13
LED BACKLIGHT/LIGHTING/SCREEN DRIVER (LED背光、照明、显示驱动电路)	14
LOAD SWITCH (精密限流负载开关)	15
VOLTAGE DETECTOR/RESET IC (电压检测器/复位芯片)	15
DDR MEMORY POWER IC (DDR存储器电源芯片)	16
INVERTING-NEGATIVE OUTPUT (反相-输出负压)	16
AC/DC CONVERTER (AC/DC转换器)	16
NON-ISOLATION HV BUCK ME86 SERIES (非隔离型降压芯片ME86系列)	18
AC LED DRIVER (AC输入LED驱动芯片)	18
SYNCHRONOUS RECTIFICATION CONTROLLER (同步整流控制器)	18
X CAPACITOR DISCHARGE IC (X电容自动放电芯片)	18
HIGH-ACCURACY REFERENCE (高精度基准)	18
AC/DC CONVERTER SUPPLY (恒压恒流控制器)	19

SMART METER IC 表计芯片

ENERGY MEASUREMENT ASIC (电能计量专用电路)	20
MEASUREMENT IC OF IOT(物联网计量电路)	20
RESIDUAL CURRENT PROTECTION IC (剩余电流保护芯片)	20
RELAY DRIVER (磁保持继电器驱动芯片)	21
LCD DISPLAY DRIVER (液晶显示驱动芯片)	21

SOC 系统级专用芯片

METER SOC (电能表专用系统级芯片)	21
GENERAL PURPOSE MCU (通用微控制器)	21
OPTICAL TRANSCEIVER SOC (光模块专用微控制器)	22

ISOLATOR 隔离器芯片

DIGITAL ISOLATOR (数字隔离器)	22
--------------------------	----

STANDARD INTERFACE CIRCUIT 接口电路

RS-485 TRANSCEIVERS (RS-485收发器)	24
ISOLATED RS-485 TRANSCEIVERS (隔离式RS-485收发器)	24
RS-232 TRANSCEIVERS (RS-232收发器)	24
LEVEL SHIFTERS (电平转换器)	24
VIDEO FILTER DRIVER (视频滤波驱动)	24

AMPLIFIERS 放大器

LOW VOLTAGE GENERAL OPERATIONAL AMPLIFIERS (低压通用运算放大器)	25
MEDIUM VOLTAGE GENERAL OPERATIONAL AMPLIFIERS (中压通用运算放大器)	25
HIGH VOLTAGE GENERAL OPERATIONAL AMPLIFIERS (高压通用运算放大器)	25
LOW NOISE OPERATIONAL AMPLIFIERS (低噪声运算放大器)	25
CURRENT SENSE AMPLIFIER (电流检测放大器)	26
PRECISION OPERATIONAL AMPLIFIERS (高精度运算放大器)	26
NANO-POWER OPERATIONAL AMPLIFIERS (纳安级运算放大器)	26
CLASS AB AUDIO AMPLIFIER (AB类音频功放电路)	26
CLASS D AUDIO AMPLIFIER (D类音频功放电路)	26

ANALOG SWITCH 模拟开关

27

DRIVE CIRCUIT 驱动电路

DC MOTOR DRIVER (马达驱动)	27
HALF-BRIDGE DRIVER (半桥驱动)	28
MOS DRIVER (MOS驱动)	28
DARLINGTON TRANSISTOR ARRAYS (达林顿驱动)	28
SMOKE DETECTOR (烟雾检测电路)	28
REAL TIME CLOCK (微功耗实时时钟)	28

EEPROM 存储芯片

29

NOR FLASH 存储芯片

31

VOLTAGE REFERENCES 电压基准源

31

ADC/DAC 数据转换器

32

MOSFET 金属氧化物半导体场效应晶体管

33

SHIELDED GATE TRENCH MOSFET (屏蔽栅沟槽场效应晶体管)	33
TRENCH MOSFET (沟槽场效应晶体管)	38
HIGH VOLTAGE SUPER JUNCTION MOSFET (高压超结型场效应晶体管)	42
HIGH VOLTAGE PLANAR MOSFET (高压平面型场效应晶体管)	43

IGBT 绝缘栅双极晶体管

46

IGBT (绝缘栅双极晶体管)	46
IGNITION IGBT (点火绝缘栅双极晶体管)	48
IGBT MODULE (绝缘栅双极晶体管模块)	48

SIC 碳化硅

49

SIC MOSFET (碳化硅场效应晶体管)	49
SIC JBS (碳化硅二极管)	49
SIC MODULE (碳化硅模块)	49

BELLING SOLUTIONS 贝岭解决方案

50

AUTOMOBILE IGNITER (汽车点火器)	50
AUTOMOBILE LIGHTING SOLUTION (汽车车灯)	50
AUTOMOBILE MAIN DRIVE MOTOR CONTROL (汽车主驱电机控制)	51
AUTOMOBILE ELECTRONIC OIL/WATER PUMP DRIVER (汽车电子油泵水泵驱动)	51
AUTOMOBILE AIR CONDITIONING CONTROL PANEL (汽车空调控制板)	52
AUTOMOBILE BMS (汽车BMS)	52
AUTOMOBILE WINDOW CONTROL (汽车车窗控制)	53
ENERGY METERING (智能电表)	53
ENERGY MONITORING (电能监测)	54
SMART MCB (智能微型断路器)	54
GAS METER (燃气表)	55
LCD TV (平板电视)	55
HOUSEHOLD AIR CONDITIONER (家用空调)	56
OPTICAL COMMUNICATION (光通讯)	56
PHOTOVOLTAIC (光伏)	57
FREQUENCY CONVERTER (变频器)	57
LI-ION BATTERY PROTECTION (锂电保护)	58
STB (机顶盒)	58
WIRELESS SMART LOCK (无线智能锁)	59

INTRODUCTION OF SHANGHAI BELLING 上海贝岭简介

59

INDEX OF PART NUMBER 型号索引

60

Power Management 电源管理

DC/DC Step-down Converter (降压型 DC/DC 转换器) BL 系列



Part No.	Power Switching	MODE	VIN	VOUT	IQ	FOSC	Eff.	Max. Duty Cycle	Accu.	IOUT	Package	Application	Reference
BL8028	Built-in MOSFET, Synchronous	PWM/PFM	2.6~5.5V	ADJ (Vfb=0.6V)	80μA	2MHz	97%	100%	±2%	1.5A	SOT23-5 DFN2x2-6 DFN1.6x1.6-6L	Cell Phone, STB, Portable Device	SY8008, RT8008, RT8024
BL8038	Built-in MOSFET, Synchronous	PWM/PFM	2.6~5.5V	ADJ (Vfb=0.6V)	55μA	2MHz	97%	100%	±2%	1A	SOT23-5	Cell Phone, STB, Portable Device	
BL8039	Built-in MOSFET, Synchronous	PWM/PFM	2.6~5.5V	ADJ (Vfb=0.6V)	80μA	2MHz	97%	100%	±2%	2A	SOT23-5 DFN1.6x1.6-6L	Cell Phone, STB, Portable Device	
BLL2206	Built-in MOSFET, Synchronous	PWM/PFM	2.3~5.5V	ADJ (Vfb=0.5V)	50μA	4MHz	96%	100%	±1%	6A	DFN3x2-9L	Low-Voltage High-Density Power System, IOT	
BL8032	Built-in MOSFET, Synchronous	PWM/PFM	4.2~18V	ADJ (Vfb=0.8V)	0.5mA	500KHz	96%	92%	±2%	2A	SOT23-6	DPS, STB	MP1470
BL8032TT	Built-in MOSFET, Synchronous	PWM/PFM	4.2~18V	ADJ (Vfb=0.8V)	0.5mA	500KHz	96%	92%	±2%	2A	SOT23-6	DPS, STB	TPS54202
BL8032G	Built-in MOSFET, Synchronous	PWM/PFM	4.5~18V	ADJ (Vfb=0.8V)	0.5mA	500KHz	96%	92%	±2%	2A	SOT23-6	DPS, STB	MP1470
BL8032GT	Built-in MOSFET, Synchronous	PWM/PFM	4.5~18V	ADJ (Vfb=0.768V)	0.5mA	500KHz	96%	92%	±2%	2A	SOT23-6	DPS, STB	TPS562201
BL8032S	Built-in MOSFET, Synchronous	PWM/PFM	3.5~16V	ADJ (Vfb=0.6V)	0.5mA	500KHz	96%	95%	±2%	2A	SOT23-6	DPS, STB	SY8120
BLL2310C	Built-in MOSFET, Synchronous	PWM/PFM	4.5~18V	ADJ (Vfb=0.8V)	0.5mA	1MHz	96%	92%	±2%	2A	SOT23-6	DPS, STB	MP1470H
BLL2311C	Built-in MOSFET, Synchronous	Forced PWM	4.5~18V	ADJ (Vfb=0.8V)	0.5mA	500KHz	96%	92%	±2%	2A	SOT23-6	DPS, STB	MP1470B
BL8033	Built-in MOSFET, Synchronous	PWM/PFM	4.5~16V	ADJ (Vfb=0.8V)	0.5mA	500KHz	96%	92%	±2%	3A	SOT23-6	DPS, STB	MP1471
BL8034	Built-in MOSFET, Synchronous	PWM/PFM	4.2~16V	ADJ (Vfb=0.923V)	0.5mA	500KHz	95%	92%	±2%	4A	ESOP8	TV, FPGA Power Supply, LED Driver	MP1484
BLL2452S	Built-in MOSFET, Synchronous	COT	4.2~16V	ADJ (Vfb=0.8V)	150μA	500KHz	94%	80%	±2%	2.5A	SOT23-6	DPS, STB	
BLL2453	Built-in MOSFET, Synchronous	COT	4.2~16V	ADJ (Vfb=0.8V)	150μA	500KHz	95%	80%	±2%	3A	SOT563 SOT23-6	DPS, STB	
BLL2631	Built-in MOSFET, Synchronous	PWM/PFM	4.2~24V	ADJ (Vfb=0.8V)	100μA	1.2MHz	94%	85%	±2%	1.2A	SOT23-6	DPS, STB	
BL8036	Built-in MOSFET, Synchronous	PWM/PFM	4.2~28V	ADJ (Vfb=0.8V)	150μA	500KHz	94%	93%	±2%	3A	ESOP8	DPS, STB	
BL8036T	Built-in MOSFET, Synchronous	PWM/PFM	4.2~28V	ADJ (Vfb=0.8V)	150μA	500KHz	94%	93%	±2%	3A	ESOP8	DPS, STB	TPS54331
BL8037	Built-in MOSFET, Synchronous	PWM/PFM	4.2~28V	ADJ (Vfb=0.8V)	150μA	500KHz	94%	93%	±2%	2A	ESOP8 SOT23-6	DPS, STB	

DC/DC Step-down Converter (降压型 DC/DC 转换器) BL 系列

Part No.	Power Switching	MODE	VIN	VOUT	IQ	FOSC	Eff.	Max. Duty Cycle	Accu.	IOUT	Package	Application	Reference
BLL2620	Built-in MOSFET, Synchronous	PWM/PFM	5.0~28V	ADJ (Vfb=0.8V)	250μA	150KHz ~ADJ	97%	80%	±2%	5A	QFN4x4-14L	DPS, Wireless Charger	
BLL2730	Built-in MOSFET	Jitter+CC/ CV+Isense	8.5~34V	5.0V	1.5mA	135KHz	95%	-	±2%	3.5A	SOP8	Car Charger	
BLL2731	Built-in MOSFET	Jitter+CC/ CV+Isense	8.5~34V	ADJ (Vfb=1V)	1.5mA	135KHz	95%	100%	±2%	3.5A	SOP8	Car Charger	
BLL2740	Built-in MOSFET	Jitter+CC/ CV+Isense	8.5~42V	ADJ (Vfb=1V)	1.5mA	135KHz	95%	100%	±2%	3.5A	SOP8	Car Charger	
BLL2741	Built-in MOSFET	Jitter+CC/ CV+Isense	8.0~43V	5.1V	1.5mA	135KHz	95%	-	±2%	4A	ESOP8	Car Charger	
BLL2742	Built-in MOSFET	Jitter+CC/ CV+Isense	8.5~42V	5.05V	1.6mA	130KHz	96%	-	±2%	5.5A	SOP8	Car Charger	
BLL2745	Built-in MOSFET	Jitter+CC/ CV+Isense	8.5~42V	5.05V	1.6mA	280KHz	96%	-	±2%	5.5A	QFN5x5-14L	Car Charger	
BLL2748	Built-in MOSFET	Jitter+CC/ CV+Isense	8.5~40V	ADJ (Vfb=1V)	1.5mA	135KHz	95%	100%	±2%	3.5A	SOP8	Car Charger	
BLL2749	External MOSFET	Jitter+CC/ CV+Isense	8.5~40V	ADJ (Vfb=1V)	1.5mA	135KHz	95%	100%	±2%	10A	ESOP8	Car Charger	
BLL2752	External MOSFET	Jitter+CC/ CV+Isense	8.5~40V	5.05V	1.6mA	130KHz	96%	-	±2%	15A	ESOP8	Car Charger	
BLL2770	Built-in MOSFET	CC	7.0~40V	-	-	135KHz	93%	100%	±3%	3.5A	SOP8	Car Light	
BLL2771	Built-in MOSFET, Synchronous	CC	7.0~70V	-	-	150KHz	93%	92%	±3%	4A	QFN5x5-14L	Car Light	
BLL2681	Built-in high-side MOSFET, Synchronous	PWM/PFM	7.0~70V	ADJ(3~40V) (Vfb=1V)	0.6mA	150KHz	92%	91%	±2%	1.2A	SOP8	DPS, POE, Industrial Application	
BLL2682	Built-in high-side MOSFET, Synchronous	PWM/PFM	7.0~70V	ADJ(3~40V) (Vfb=1V)	0.6mA	150KHz	94%	91%	±2%	2A	SOP8	DPS, POE, Industrial Application	
BLL2683	Built-in high-side MOSFET, Synchronous	PWM/PFM	7.0~70V	ADJ(3~40V) (Vfb=1V)	0.6mA	150KHz	94%	91%	±2%	3A	SOP8	DPS, POE, Industrial Application	
BLL2683A	Built-in MOSFET, Synchronous	PWM/PFM	7.0~70V	ADJ(3~40V) (Vfb=1V)	0.6mA	150KHz	94%	91%	±2%	3A	QFN5x5-14L	DPS, POE, Industrial Application	
BLL2783	Built-in high-side MOSFET, Synchronous	PWM/PFM	7.0~70V	ADJ(3~40V) (Vfb=1V)	0.6mA	150KHz	94%	91%	±2%	3A	SOP8	DPS, POE, Industrial Application	
BL9315	Built-in MOSFET, Synchronous	PWM/PFM	2.5~5.5V	ADJ (Vfb=0.6V)	40μA	1.5MHz	95%	-	±2%	3A	ESOP8	Digital Camera, STB, Portable Device	
BL9342	Built-in high-side MOSFET, Asynchronous	PWM/PFM	4.2~40V	ADJ (Vfb=0.794V)	200μA	1.8MHz	90%	-	±2%	0.6A	SOT23-6	High Voltage Power Conversion, DPS	MP2451, LM2842

DC/DC Step-down Converter (降压型 DC/DC 转换器) BL 系列

Part No.	Power Switching	MODE	VIN	VOUT	IQ	FOSC	Eff.	Max. Duty Cycle	Accu.	IOUT	Package	Application	Reference
BL9362	Built-in high-side MOSFET, Asynchronous	PWM/PFM	4.5~60V	ADJ (Vfb=0.795V)	0.65mA	2MHz	95%	87%	±2%	0.6A	SOT23-6	Smart Meter, Industrial Application	MP2451, LM2842
BL9366	Built-in high-side MOSFET, Asynchronous	PWM/PFM	5.0~60V	ADJ (Vfb=0.812V)	0.7mA	480KHz	90%	90%	±2%	0.6A	SOT23-6	Power Meter, DPS	MP2459
BL9368	Built-in high-side MOSFET, Asynchronous	PWM/PFM	5.0~60V	ADJ (Vfb=0.812V)	0.7mA	480KHz	90%	90%	±2%	1.2A	ESOP8	Power Meter, DPS	

DC/DC Step-down Converter (降压型 DC/DC 转换器) ME 系列

Part No.	Power Switching	MODE	VIN	VOUT	IQ	FOSC	Accu.	IOUT	Package
ME3107	Synchronous	PFM	2.7~5.5V	1~4V	0.76μA	-	±2.5%	0.2A	SOT23-5
ME3100	Synchronous	PFM/PWM	2.5~6.0V	0.6~5V (Vfb=0.6V)	50μA	1.5MHz	±2%	1A	SOT23-5
ME3102	Synchronous	PFM/PWM	2.5~6.0V	1.2~5V (Vfb=0.6V)	45μA	1.4MHz/1.75MHz	±2%	1A	SOT23-5 DFN2×2-6L
ME3103	Synchronous	PFM/PWM	2.5~5.5V	1.2~5V (Vfb=0.6V)	40μA	1.5MHz	±2%	1A	SOT23-5 DFN2×2-6L
ME3120	Synchronous	PFM/PWM	2.5~6.0V	0.6~5V(Vfb=0.6V)	50μA	1.5MHz	±2%	2A	SOT23-5
ME3104-N	Synchronous	PFM/PWM	2.8~6.0V	0.6~6V (Vfb=0.6V)	50μA	1.5MHz	±2%	2A	SOT23-5
ME3108	Synchronous	PFM/PWM	2.8~5.5V	0.8~3.6V	15μA	1.2MHz	±2%	2A	SOT23-5 SOT23-6
ME3106	Synchronous	PFM/PWM	2.2~7.0V	0.7~3.9V	260nA	1.0MHz	±2%	1A	SOT23-5
ME3109	Synchronous	PFM/PWM OR PWM	2.8~5.5V	0.8~4.5V	15μA	1.2MHz	±2%	3A	DFN2×2-6L
ME3182	Synchronous	PFM/PWM	3.8~18V	0.6~12V	90μA	700KHz	±2%	2A	SOT23-6
ME3110	Synchronous	PFM/PWM	4.4~18V	1.2~7V (Vfb=0.6V)	120μA	500KHz	±2%	2A	SOT23-6
ME3111	Synchronous	PFM/PWM	4.8~18V	1.2~7V (Vfb=0.6V)	130μA	500KHz	±1.5%	3A	TSOT23-6
ME3112	Synchronous	PFM/PWM	4.1~18V	0.6~5V (Vfb=0.6V)	120μA	1.4MHz	±2%	2A	SOT563
ME3113	Synchronous	PFM/PWM	4.5~18V	0.6~5V (Vfb=0.6V)	120μA	500KHz	±2%	3A	SOT23-6
ME3114	Synchronous	PWM	3.3~18V	0.6~5V (Vfb=0.6V)	600μA	200KHz~1.6MHz	±2%	6A	QFN4×4-16L QFN3.5×3.5-14L QFN3×3-14L
ME3118	Synchronous	PWM	4.5~18V	1.2~5V (Vfb=0.8V)	1.6mA	500KHz	±1.5%	4A	ESOP8 DFN3×3-8L

DC/DC Step-down Converter (降压型 DC/DC 转换器) ME 系列

Part No.	Power Switching	MODE	VIN	VOUT	IQ	FOSC	Accu.	IOUT	Package
ME3125	Synchronous	PFM/PWM	4.6~24V	0.6~5V (Vfb=0.6V)	120μA	500KHz	±2%	5A	ESOP8
MEI3001	Asynchronous	PWM	4.75~40V	1.2~5V (Vfb=0.8V)	0.6mA	550KHz	±1.5%	0.6A	SOT23-6
ME3116	Asynchronous	PWM	4.75~40V	1.2~5V (Vfb=0.8V)	1.3mA	550KHz	±1.5%	1A	SOT23-6
ME3121	Synchronous	PFM/PWM	4.7~40V	0.6~12V (Vfb=0.6V)	120μA	1MHz	±2%	1A	SOT23-6
ME3148	Asynchronous	PWM	8.0~36V	1.25~33V (Vfb=1.25V)	2mA	160KHz	±1.5%	3A	ESOP8
ME3123	Synchronous	PFM/PWM	4.7~40V	0.6~12V (Vfb=0.6V)	135μA	500KHz	±2%	3A	ESOP8
ME3131	Synchronous	PFM/PWM	4.0~48V	1.2~5V (Vfb=0.6V)	135μA	1.4MHz	±2%	0.6A	SOT23-6
ME3136	Synchronous	PFM/PWM	4.5~60V	0.8~57V (Vfb=0.8V)	200μA	1.6MHz	±2%	0.6A	SOT23-6
ME3162	Synchronous	CC/CV	8.5~60V	1.0~60V (Vfb=1.0V)	1.5mA	Adjustable	±2%	3.6A	SOP8

DC/DC Step-up Converter (升压型 DC/DC 转换器) BL 系列

Part No.	Power Switching	MODE	VIN	VOUT	IQ	FOSC	Eff.	Accu.	IOUT	Package	Application	Reference
BL8531	Internal MOSFET, Asynchronous	PFM	0.8~7.0V	2.5~6.0V 0.1V step	12μA	350KHz	85%	±2%	200mA 1.8V→3.3V	SOT23-3 SOT23 SOT23-5 SOT89-3 TO92	Toy, Wireless Mouse	RT9261, AIC1642, XC6383, S-8351
BL8531C	External MOSFET, Asynchronous	PFM	0.8~12V	2.5~6.0V 0.1V step	20μA	350KHz	90%	±2%	500mA 2V→4V	SOT23-3 SOT23-5 SOT89-3	Toy, Wireless Mouse	XC6368
BL8536	Internal MOSFET, Synchronous	PWM	0.9~5.0V	1.8~3.6V	15μA	1MHz	95%	±2%	300mA 1.5V→3.3V	SOT23-3 SOT23-5 SOT89-3	Bluetooth Device	
BL8042C	Internal MOSFET, Asynchronous	PWM/PFM	2.5~24V	Vin~28V (Vfb=0.6V)	0.25mA	1.2MHz	97%	±2%	1A 5V →12V	SOT23-5	STB	
BL8042D	Internal MOSFET, Asynchronous	PWM/PFM	2.5~24V	Vin~28V (Vfb=0.6V)	0.25mA	1.2MHz	97%	±2%	1A 5V →12V	SOT23-6	STB	
BLL3330	Internal MOSFET, Asynchronous	PWM/PFM	6.0~28V	Vin~80V (Vfb=0.4V)	0.32mA	120KHz	-	-	-	ESOP8	LCD Television & Monitor, Flat Panel Display Device	
BLL3330C	External MOSFET, Asynchronous	PWM/PFM	6.0~28V	Vin~80V (Vfb=0.4V)	0.32mA	120KHz	-	-	-	SOP8	LCD Television & Monitor, Flat Panel Display Device	

DC/DC Step-up Converter (升压型 DC/DC 转换器) ME 系列

Part No.	Power Switching	MODE	VIN	VOUT	FOSC	Accu.	IOUT	Package
ME2135	Built-in NMOS&PMOS	Charge Pump	1.8~5.5V	2.7~5.0V	650KHz	±3%	300mA 3V→3.3V	SOT23-6 DFN2×2-6L
ME2188	Built-in NMOS&PMOS	PFM	0.9~5.5V	1.9~5.0V	320KHz	±2%	450mA 3V→3.3V	SOT89-3 SOT23 SOT23-3 SOT23-5 TO92
ME2188-N	Built-in NMOS&PMOS	PFM	0.9~5.5V	1.9~5.0V	320KHz	±2%	650mA 3V→3.3V	SOT23
ME2107	Built-in NMOS&PMOS	PFM	0.9~5.5V	1.8~5.0V	320KHz	±2%	500mA 3V→3.3V	SOT23-5
ME2186	Built-in NMOS&PMOS	PFM	0.9~5.5V	1.8~6.0V	320KHz	±2%	500mA 3V→5V	SOT89-3
ME2185	Built-in NMOS&PMOS	PFM/PWM	2.9~4.4V	<5.5V (Vfb=1.25V)	1MHz	±2%	2.5A 3.3V→5V	ESOP8
ME2175	Built-in NMOS&PMOS	PFM/PWM	1.8~4.4V	<5.5V (Vfb=0.8V)	1MHz	±2%	1A 3.3V→5V	SOT23-5 SOT23-6
ME2167	Built-in NMOS&NMOS	PFM/PWM	2.7~12V	<12.6V (Vfb=1.2V)	200KHz~2MHz	±2%	2.5A 3.3V→9V	DFN4.5×3.5-20L QFN2.5×3.5-18L
ME2177	Built-in NMOS&NMOS	PFM	2.7~12V	<12.6V (Vfb=1.2V)	200KHz~2.2MHz	±2%	2A 3.3V→9V	QFN2.5×2.0-11L QFN2.0×2.0-11L
ME2187	Built-in NMOS&NMOS	PFM/PWM	2.7~12V	<12.6V (Vfb=1.2V)	200KHz~2.2MHz	±2%	3A 3.3V→9V	DFN4.5×3.5-20L QFN2.5×3.5-18L ESOP16
ME2108	Built-in NMOS	PFM	0.9~6.5V	2.0~7.0V	180KHz	±2.5%	400mA 3V→5V	SOT23-5 SOT89-3 SOT23-3 TO92 SOT23
ME2104	Built-in NMOS&NMOS	PFM	0.9~6V	1.8~5.0V	0KHz~1.2MHz	±2%	200mA 3V→3.3V	SOT23-5
ME2110	Built-in NMOS	PFM	0.9~6V	1.8~6.0V	150KHz/360KHz	±2%	1A 3V→3.3V	SOT23-5 SOT23-3 SOT89-3
ME2129	Built-in NMOS	PFM/PWM	0.9~6V	<20V (Vfb=1.25V)	300KHz	±2%	500mA 3V→5V	SOT23-5
ME2149	Built-in NMOS	PFM/PWM	0.9~6V	<20V (Vfb=1.25V)	1MHz	±2%	1A 3V→5V	SOT23-5 SOT89-5 SOP8
ME2159	Built-in NMOS	PFM/PWM	2.5~5.5V	<12V (Vfb=0.6V)	650KHz	±2%	1A 3V→5V	SOT23-6
ME2109	External NMOS	PFM/PWM	0.9~6V	<20V (Vfb=1.25V)	300KHz	±2%	1A 3V→5V	SOT23-5
ME2139	External NMOS	PFM/PWM	0.9~6V	<20V (Vfb=1.25V)	1MHz	±2%	3A 3.6V→5V	SOT23-5
ME2169	External NMOS	PFM/PWM	2.5~6V	<20V (Vfb=1.25V)	1MHz	±2%	3A 3.6V→5V	SOT23-6
MEI2001	External NMOS	PFM/PWM	1.5~30V	<20V (Vfb=1.25V)	300KHz	±2%	1.5A 5V→9V	SOT23-6
ME2199	External NMOS	PFM/PWM	2.7~25V	<20V (Vfb=1.25V)	1MHz	±2%	2A 5V→9V	TSOT23-8 SOP8

CMOS Type LDO Linear Regulator (CMOS 型低压差线性稳压器) BL 系列

Part No.	Features	VIN	VOUT	Accu.	PSRR	IQ	IOUT(Max.)	Package	Application	Reference
BL8063	Low Dropout Voltage, Low Noise, High PSRR, Fast Response	2.0~6.0V	1.0~4.5V 0.1V step	±2%	70dB@1KHz	35μA	300mA	SC70-5 SOT23-3 SOT23-5 DFN1x1-4L	Battery-powered Equipment, Mouse, Cell Phone	XC6219, RT9193, RT9198
BL8063G	Low Dropout Voltage, High PSRR, Fast Response	2.0~6.0V	1.0~3.6V 0.1V step	±2%	70dB@1KHz	60μA	300mA	SC70-5 SOT23-3 SOT23-5 DFN1x1-4L	Battery-powered Equipment, Mouse, Cell Phone	
BL8067	Low Dropout Voltage, Low Noise, High PSRR, Fast Response, Output Discharge	1.5~6.0V	1.0~4.5V 0.1V step	±2%	68dB@1KHz	50μA	300mA	SOT23 SOT23-5 DFN1x1-4L	Battery-powered Equipment, Mouse, Cell Phone	
BL8067A	Low Dropout Voltage, Low Noise, High PSRR, Fast Response, Output Discharge	1.5~6.0V	1.0~4.5V 0.1V step	±2%	68dB@1KHz	50μA	500mA	SOT23-5 DFN1x1-4L	Battery-powered Equipment, Mouse, Cell Phone	
BL8563	Low Dropout Voltage, Low Noise, High PSRR, Fast Response, Output Discharge	2.0~6.0V	1.0~4.5V 0.1V step	±2%	70dB@1KHz	35μA	300mA	SC70-5 SOT23-5 SOT23 SOT23-3 DFN1x1-4L	Battery-powered Equipment, Mouse, Reference Voltage Source	XC6219, RT9193, RT9198
BL8563G	Low Dropout Voltage, High PSRR, Fast Response, Output Discharge	1.5~6.0V	0.9~3.6V 0.1V step	±2%	70dB@1KHz	60μA	300mA	SC70-5 SOT23-5 SOT23 SOT23-3 DFN1x1-4L	Battery-powered Equipment, Mouse, Reference Voltage Source	
BL8565	Low Dropout Voltage, Low Noise, High PSRR, Fast Response, Output Discharge	2.0~7.0V	1.0~4.5V 0.1V step	±2%	70dB@1KHz	35μA	500mA	SOT23 SOT23-3 SOT23-5 SOT89-3	Battery-powered Equipment, Mouse, Cell Phone	RT9162, FS8853
BL8565G	Low Dropout Voltage, High PSRR, Fast Response, Output Discharge	2.0~6.0V	0.9~3.6V 0.1V step	±2%	70dB@1KHz	60μA	500mA	SOT89-3	Battery-powered Equipment, Mouse, Cell Phone	
BL8568	Low Dropout Voltage, Low Noise, High PSRR, Fast Response, Output Discharge	2.0~6.0V	1.0~4.5V 0.1V step	±2%	70dB@1KHz	35μA	500mA	SC70-5 SOT23-3 SOT23-5 DFN1x1-4L	Battery-powered Equipment, Mouse, Cell Phone	
BL8568G	Low Dropout Voltage, High PSRR, Fast Response, Output Discharge	2.0~6.0V	0.9~3.6V 0.1V step	±2%	70dB@1KHz	60μA	500mA	SC70-5 SOT23-3 SOT23 SOT23-5 DFN1x1-4L	Battery-powered Equipment, Mouse, Cell Phone	
BL8071	Low Dropout Voltage, Low Noise	1.5~6.0V	1.2~5.0V 0.1V step	±2%/±1%	70dB@100Hz	100μA	1.5A	SOT223	Battery-powered Equipment, PC Peripheral, Wireless Device	
BL8071G	Low Dropout Voltage, High PSRR	1.5~6.0V	1.1~5.0V 0.1V step	±2%/±1%	65dB@1KHz	100μA	1.5A	SOT223 DFN3x3-6L	Battery-powered Equipment, PC Peripheral, Wireless Device	
BL8073	Low Dropout Voltage, Low Noise	1.5~6.0V	1.2~5.0V 0.1V step	±2%/±1%	65dB@100Hz	100μA	1A	SOT23-5	Battery-powered Equipment, PC Peripheral, Wireless Device	
BL8073G	Low Dropout Voltage, High PSRR	1.5~6.0V	1.2~5.0V 0.1V step	±2%/±1%	65dB@1KHz	100μA	1A	SOT23-5	Battery-powered Equipment, PC Peripheral, Wireless Device	
BL8074	Low Dropout Voltage, Low Noise	1.5~6.0V	1.2~5.0V 0.1V step	±2%/±1%	65dB@100Hz	100μA	800mA	SOT89-3	Battery-powered Equipment, PC Peripheral, Wireless Device	

CMOS Type LDO Linear Regulator (CMOS 型低压差线性稳压器) BL 系列

Part No.	Features	VIN	VOUT	Accu.	PSRR	IQ	IOUT(Max.)	Package	Application	Reference
BL8074G	Low Dropout Voltage, High PSRR	1.5~6.0V	1.2~5.0V 0.1V step	±2%/±1%	65dB@1KHz	100µA	800mA	SOT89-3	Battery-powered Equipment, PC Peripheral, Wireless Device	
BL8079G	Low Dropout Voltage, High PSRR, Fast Response, Output Discharge	2.0~6.0V	ADJ (0.8~5.0V)	±2%	65dB@1KHz	65µA	300mA	SOT23-5	Battery-powered Equipment, Mouse, Cell Phone	
BL8079AG	Low Dropout Voltage, High PSRR, Fast Response, Output Discharge	1.5~6.0V	ADJ (0.8~5.0V) 0.8V	±2%	65dB@1KHz	65µA	600mA	DFN1.2x1.2-6L SOT23-5	Battery-powered Equipment, Mouse, Cell Phone	
BL8555	Low Noise, High PSRR	1.8~8.0V	1.2~5.0V 0.1V step	±2%/±1%	65dB@1KHz	25µA	150mA	SOT23-5 SC70-5	Battery-powered Equipment, Mouse, Reference Voltage Source	
BL8558	Low Dropout Voltage, Low Noise, High PSRR, Fast Response, Output Discharge	Max. 10V	1.2~4.5V 0.1V step	±2%/±1%	66dB@100Hz	75µA	500mA	SOT89-3 SOT89-5 SOT23-3 SOT23-5 TO92	Battery-powered Equipment, Mouse, Cell Phone	RT9013, RT9017
BL8077	Low Power Consumption, Low Dropout Voltage	1.8~5.5V	1.2,1.8,2.5 2.8,3.0,3.3V	±2%	-	0.8µA	300mA	SOT23-5 DFN1x1-4L	Battery-powered Equipment, Wireless Communication Equipment	
BL8503	Low Power Consumption, Low Dropout Voltage	Max. 8.0V	1.2~6.0V 0.1V step	±2%/±1%	-	3µA	250mA	SOT23-3 SOT89-3 TO92	Battery-powered Equipment, Mouse, Reference Voltage Source	XC6206
BL8552	Low Power Consumption, Low Dropout Voltage, Low Noise	Max. 8.0V	1.2~3.6V 0.1V step	±2%	60dB@100Hz	2µA	300mA	SOT23 SOT23-5 SOT89-3	Battery-powered Equipment	
BL8064	Low Power Consumption, Low Dropout Voltage	Max. 8.0V	1.1~5.5V 0.1V step	±2%/±1%	-	1µA	200mA	SOT23 SOT23-3 SOT23-5 SOT89-3 TO92	Battery-powered Equipment, Mouse	XC6206
BL8060	Low Power Consumption, Low Dropout Voltage	Max. 12V	1.1~5.5V 0.1V step	±2%/±1%	-	1µA	250mA	SOT23-3 SOT23-5 SOT89-3 TO92	Battery-powered Equipment, Mouse	
BL8061	Low Power Consumption, Low Dropout Voltage	Max. 16V	1.1~5.0V 0.1V step	±2%/±1%	-	2µA	250mA	SOT23-3 SOT23-5 SOT89-3	Battery-powered Equipment, Mouse	
BL8062	Low Power Consumption, Low Dropout Voltage	Max. 16V	1.2~5.0V 0.1V step	±2%/±1%	-	3µA	250mA	SOT23-3 SOT89-3 SOT23-5	Battery-powered Equipment, Mouse	
BL8072	Low Power Consumption, Low Dropout Voltage	Max. 18V	1.2~5.0V	±2%/±1%	-	3µA	2A	SOT223 TO252	Battery-powered Equipment	
BL8075	Low Power Consumption, Low Dropout Voltage	3.0~16V	1.2~5.0V 0.1V step	±2%/±1%	-	10µA	500mA	SOT23-5 SOT89-3	Battery-powered Equipment, Mouse	MD53XX
BL8078	Low Power Consumption, Low Dropout Voltage	3.0~40V	1.2~5.0V 0.1V step	±2%/±1%	-	2.5µA	150mA	SOT89-3	Battery-powered Equipment, Car Application, Water Meter	MD76XX

CMOS Type LDO Linear Regulator (CMOS 型低压差线性稳压器) BL 系列

Part No.	Features	VIN	VOUT	Accu.	PSRR	IQ	IOUT(Max.)	Package	Application	Reference
BL1575	Low Power Consumption, Low Dropout Voltage	Max. 40V	1.2~5.0V 0.1V step	±2%/±1%	-	2.5μA	150mA	DFN1.8x2.0-6L	Battery-powered Equipment, Car Application, Water Meter	
BL8078Q	AEC-Q100 Grade2, Low Power Consumption, Low Dropout Voltage	3.0~40V	3.3, 5.0V	±2%	50dB@100Hz	2.5μA	150mA	SOP8	Automotive, Battery-powered Equipment	
BL8566	Dual Channel, Low Noise, High PSRR	Max. 6.0V	1.2~3.5V 0.1V step	±2%/±1%	70dB@1KHz	25μA x2	300mA x2	SOT23-6	Battery-powered Equipment, Cell Phone	RT9011, XC6401
BL8569	Dual Channel, Low Noise, High PSRR	1.2~6.0V	1.2~4.5V 0.1V step	±2%	70dB@1KHz	30μA x2	500mA x2	SOT23-6	Battery-powered Equipment, Cell Phone	
BL9110	Low Dropout Voltage, Low Noise, High PSRR, Fast Response, Output Discharge	2.5~6.0V	1.0~5.0V ADJ(1~5V)	±2%/±1%	70dB@1KHz	70μA	1A	SOT223-3 TO252-3	Battery-powered Equipment, Portable Communication Equipment	TPS73701, G1117, AP2114
BL9152	Low Power Consumption, Low Dropout Voltage	4.75~40V	1.8,3.3,3.6, 5.0~10V	±2%	50dB@100Hz	6μA	500mA	SOT89-3	Smart Meter, Industrial Control	
BL9153	Low Power Consumption, Low Dropout Voltage	4.75~40V	1.8,3.3,3.6, 5.0~10V	±2%	50dB@100Hz	6μA	500mA	SOT89-3	Smart Meter, Industrial Control	SGM2203, MD7634
BL9157	Low Power Consumption, Low Dropout Voltage	Max. 30V	1.8,2.8,3.3, 3.6,5.0V	±1%	60dB@217Hz	2μA	150mA	SOT23-5 SOT89-3	Battery-powered Equipment, Audio/ Video Equipment	HT75XX
BL9161G	Low Dropout Voltage, Low Noise, High PSRR, Fast Response, Output Discharge	2.2~6.0V	1.2,1.5,1.8, 2.5,2.8,3.0, 3.3V	±2%	71dB@1KHz	70μA	300mA	SC70-5 SOT23-5 SOT23-3 DFN1X1-4L	Battery-powered Equipment, Portable Information Appliances	XC6219, XC6209
BL9162	Low Dropout Voltage, Low Noise, High PSRR, Fast Response, Output Discharge	1.6~5.5V	1.0~4.0V	±2%	83dB@1KHz	45μA	300mA	SOT23-5 SC70-5 DFN1X1-4L	Battery-powered Equipment, Portable Information Appliances	NCP114
BL9165	Low Dropout Voltage, Low Noise, High PSRR, Fast Response, Output Discharge	1.8~5.5V	1.0~4.0V	±2%	83dB@1KHz	45μA	500mA	SOT23-5 SC70-5 DFN1X1-4L	Battery-powered Equipment, Portable Information Appliances	
BL9193	Low Dropout Voltage, Low Noise, High PSRR, Fast Response, Output Discharge	2.0~6.0V	1.2,1.5,1.8,2.5, 2.8,3.0,3.3V ADJ(1.8~3.6V)	±2%/±1%	78dB@1KHz	90μA	300mA	SOT23-5 SC70-5	Battery-powered Equipment, Portable Information Appliances	RT9193

CMOS Type LDO Linear Regulator (CMOS 型低压差线性稳压器) ME 系列

Part No.	Features	VIN	VOUT	Accu.	PSRR	IQ	IOUT(Max.)	Package
ME6206A	Low Power Consumption, High Accuracy, Low Dropout Voltage	Max. 6.5V	1.5~5.0V	±1%	50dB@1KHz	6μA	300mA	SOT23-3 SOT89-3 SOT23 TO92
ME6206B	Low Power Consumption, High PSRR, Low Dropout Voltage	Max. 6.5V	1.6~5.0V	±2%	65dB@1KHz	7μA	250mA	SOT23
ME6301	Low Noise, High PSRR, High Accuracy, Low Dropout Voltage	Max. 6.5V	1.2~5.0V	±1%	98dB@1KHz	18μA	250mA	FBP1×1-4L SOT23-5
ME6301-N	Low Noise, High PSRR, High Accuracy, Low Dropout Voltage	Max. 6.5V	1.2~5.0V	±1%	98dB@1KHz	18μA	250mA	SOT23-5
ME6213	Low Power Consumption, Low Dropout Voltage	Max. 6.5V	1.2~5.0V	±2%	50dB@1KHz	7.5μA	300mA	SOT23-5 DFN2×2-6L
ME6216	Low Power Consumption, High Accuracy, Low Dropout Voltage	Max. 6.5V	1.0~5.0V	±1%	50dB@1KHz	6μA	300mA	SOT23-3 SOT89-3 SOT23 TO92 DFN2×2-3L
ME6219	Low Noise, Low Dropout Voltage	Max. 6.5V	1.2~5.0V	±2%	62dB@1KHz	65μA	300mA	SOT23-5 SOT23-3 SOT89-3 SOT89-5
ME6226	Low Power Consumption, High speed, High Accuracy, Low Dropout Voltage	Max. 6.5V	1.0~3.6V	±1%	40dB@1KHz	0.6μA	300mA	SOT23-5
ME6230	Low Power Consumption, High PSRR, High Accuracy, Low Dropout Voltage	Max. 6.5V	1.2~5.0V	±1%	70dB@1KHz	1.8μA	400mA	SOT23-3 SOT23-5 SOT89-3 FBP1×1-4L DFN1×1-4L
ME6232	Low Power Consumption, High PSRR, High Accuracy, Low Dropout Voltage	Max. 6.5V	1.5~5.0V	±1%	65dB@1KHz	1.4μA	400mA	SOT23-3 SOT89-3 SOT23-5 FBP1×1-4L DFN1×1-4L
ME6330	Low Power Consumption, High PSRR, Low Dropout Voltage	Max. 6.5V	1.5~5.0V	±2%	65dB@1KHz	4μA	400mA	SOT23-5 FBP1×1-4L DFN1×1-4L
ME6306	Low Noise, Low Power Consumption, High PSRR, High Accuracy, Low Dropout Voltage	Max. 6.5V	1.5~5.0V	±1%	75dB@1KHz	10μA	400mA	SOT23-5 DFN1×1-4L
ME6322	Low Power Consumption, High PSRR, High Accuracy, Low Dropout Voltage	Max. 6.5V	ADJ (0.8~5.0V)	±1%	65dB@1KHz	10μA	400mA	SOT23-5
ME6220	High Speed, High PSRR, High Accuracy, Low Dropout Voltage	Max. 6.5V	0.8~5.0V	±1%	70dB@1KHz	80μA	450mA	FBP1×1-4L
ME6212	High Speed, High PSRR, Low Dropout Voltage	Max. 6.5V	1.2~5.0V	±2%	65dB@1KHz	50μA	350mA	SOT23-5
ME6211	High PSRR, High Accuracy, Low Dropout Voltage	Max. 6.5V	0.8~5.0V	±1%	70dB@1KHz	30μA	500mA	SOT23-3 SOT23-5 SOT353 SOT343R SOT89-3 FBP1×1-4L DFN1×1-4L DFN2×2-6L
ME6811	High PSRR, High Accuracy, Low Dropout Voltage	Max. 6.5V	1.0~5.5V	±1%	70dB@1KHz	30μA	500mA	SOT23-5
ME6251	Reverse Current Protection, High Accuracy, Low Dropout Voltage	Max. 6.5V	1.0~5.0V	±1%	60dB@1KHz	40μA	500mA	SOT23-5
ME6307	High PSRR, High Accuracy, Low Dropout Voltage	Max. 6.5V	1.2~5.0V	±1%	70dB@1KHz	50μA	800mA	SOT23-5 SOT89-5 SOT89-3
ME6218	Low Output Voltage, High Accuracy	Max. 6.5V	0.4, 0.55, 0.6, 0.75, 0.8V	±1%	60dB@1KHz	45μA	250mA	SOT23-5 FBP1×1-4L
ME6217	High PSRR, High Accuracy, Low Dropout Voltage	Max. 6.5V	1.5~5.6V	±1%	65dB@1KHz	100μA	800mA	SOT23-5 SOT89-5 SOT89-3
ME6401	Dual Channel, High Speed, High PSRR, High Accuracy, Low Dropout Voltage	Max. 6.5V	1.2~5.0V	±1%	70dB@1KHz	90μA	300mA	SOT23-6

CMOS Type LDO Linear Regulator (CMOS 型低压差线性稳压器) ME 系列

Part No.	Features	VIN	VOUT	Accu.	PSRR	IQ	IOUT(Max.)	Package
MEQ6310	AEC-Q100 Grade1, High Accuracy, Low Dropout Voltage	Max. 6.0V	2.6~6.0V	±1%	60dB@1KHz	85μA	300mA	SOT23-5
ME6241	Reverse Current Protection, Charge Pump, High Accuracy, Low Dropout Voltage	Max. 6.0V	1.2~4.5V	±1%	58dB@1KHz	400μA	1A	DFN3×3-8L ESOP8
ME6208	Low Power Consumption, High Accuracy	Max. 18V	2.0~5.0V	±1%/±2%	50dB@1KHz	3μA	150mA	TO92 SOT89-3 SOT23-3
ME6209	Low Power Consumption, High Accuracy, Low Dropout Voltage	Max. 18V	3.0~5.0V	±1%/±2%	50dB@1KHz	3μA	250mA	TO92 SOT89-3 SOT23-3
ME6249	Low Power Consumption, High Accuracy, Low Dropout Voltage	Max. 18V	3.0~5.0V	±1%	50dB@1KHz	3μA	250mA	SOT89-3 SOT23-3
ME6214	Low Power Consumption, Low Dropout Voltage	Max. 18V	1.5~5.0V	±2%	40dB@1KHz	0.7μA	300mA	SOT89-3 SOT23-3 SOT23-5 DFN2×2-6L
ME6215	Low Power Consumption, Low Dropout Voltage	Max. 18V	1.5~5.0V	±2%	50dB@1KHz	6μA	300mA	SOT23-5
ME6119	High Speed, Low Dropout Voltage	Max. 18V	1.2~5.0V	±2%	60dB@1KHz	65μA	400mA	SOT23-5 SOT23-3 SOT89-3
ME6221	Low Dropout Voltage	Max. 18V	ADJ (1.25~5.0V)	±2%	60dB@1KHz	45μA	400mA	SOT23-5
ME6222	Low Dropout Voltage	Max. 18V	ADJ (0.8~5.0V)	±2%	60dB@1KHz	45μA	400mA	SOT23-5
ME6210	Low Power Consumption, Low Dropout Voltage	Max. 18V	1.5~5.0V	±2%	50dB@1KHz	1.5μA	500mA	SOT89-3 SOT23-3
ME6231	Low Power Consumption, High Speed, High PSRR, High Accuracy, Low Dropout Voltage	Max. 18V	1.6~5.0V	±1%	65dB@1KHz	1.8μA	500mA	SOT89-3 SOT23-3 SOT23-5 DFN1.2×1.6-4L SOT223 SOP8
ME6118	High PSRR, Low Dropout Voltage	Max. 18V	0.75~5.0V	±2%	70dB@1KHz	50μA	1A	SOT23-3 SOT223 TO252 SOT89-3 DFN2×2-6L
ME6262	High PSRR, High Accuracy, Low Dropout Voltage	Max. 18V	1.2~5.0V	±1%	80dB@1KHz	70μA	1A	ESOP8
ME6839	Low Power Consumption, High PSRR, High Accuracy	Max. 24V	1.2~5.0V	±1%	75dB@1KHz	2μA	500mA	SOT23-3 SOT23-5
ME6228	Low Power Consumption, High Accuracy	Max. 30V	1.5~12V	±1%/±2%	40dB@1KHz	0.8μA	150mA	SOT23-3 SOT89-3 TO92
ME6268	Low Power Consumption, High PSRR, High Accuracy	Max. 30V	1.2~12V	±1%	65dB@1KHz	3μA	250mA	SOT23-3 SOT89-3
ME6239	Low Power Consumption, High Accuracy	Max. 30V	1.5~12V	±1%	50dB@1KHz	1.5μA	250mA	SOT23-3 SOT89-3
ME6203	Low Power Consumption, High Accuracy	Max. 40V	1.8~12V	±1%/±2%	50dB@1KHz	3μA	100mA	TO92 SOT89-3 SOT23-3
ME6233	Low Power Consumption, High Accuracy	Max. 40V	1.6~12V	±1%	60dB@1KHz	3.5μA	100mA	SOT23-5 SOT23-3 SOT89-3 DFN2×3-8L
ME6234	Low Power Consumption, High Accuracy	Max. 40V	3.0~5.0V	±1%	60dB@1KHz	2.5μA	100mA	SOT23-3 SOT89-3
ME6263	Low Power Consumption, High Accuracy	Max. 40V	3.0~5.0V	±1%	60dB@1KHz	1μA	150mA	SOT23-5
ME6260	Low Power Consumption, Low Dropout Voltage	Max. 40V	1.25~15V	±1%	64dB@100Hz	3.2μA	300mA	SOT23-5 SOT89-3
ME6261	Low Power Consumption, High PSRR, High Accuracy	Max. 60V	1.2~12V	±1%	75dB@1KHz	2.5μA	100mA	SOT23-3 SOT89-3

Bipolar Type LDO Linear Regulator (双极型低压差线性稳压器) BL 系列

Part No.	Features	VIN	VOUT	Accu.	IQ	IOUT (Max.)	Package	Application	Reference
BL1117	Bipolar, Low Dropout Voltage	Max. 18V	1.2,1.5,1.8,2.5,3.3,5,12V, ADJ(1.25~12V)	±2%/±1%	2mA	1A	SOT223 TO252	PC Motherboard, Monitor, TV, STB	LM1117
BL1117C	Bipolar, Low Dropout Voltage	Max. 15V	1.2,1.8,2.5,3.3,5,12V ADJ(1.25~12V)	±2%/±1%	2mA	1A	SOT223 SOT89-3	PC Motherboard, Monitor, TV, STB	LM1117
BL1118	Dual Channels, Bipolar, Low Dropout Voltage	Max. 12V	1.2,1.8,2.5,3.3,5V ADJ(1.25~12V)	±2%	2mA x 2	1A x 2	ESOP8	PC Motherboard, Monitor, TV, STB	
BL1084	Bipolar, Low Dropout Voltage	Max. 15V	1.8,2.5,3.3,5V ADJ(1.25~13.8V)	±2%	5mA	5A	TO252 TO263-2 TO263-3 TO220-3	PC Motherboard, Monitor, TV, STB	LM1084
BL1085	Bipolar, Low Dropout Voltage	Max. 15V	1.8,2.5,3.3,5V, ADJ(1.25~13.8V)	±2%	5mA	3A	TO252 TO263-2 TO263-3 TO220-3	PC Motherboard, Monitor, TV, STB	LM1085

Bipolar Type LDO Linear Regulator (双极型低压差线性稳压器) ME 系列

Part No.	Features	VIN	VOUT	Accu.	IQ	IOUT (Max.)	Package
ME1117	Bipolar, High Speed, Low Dropout Voltage	Max. 20V	1.2~15V	±2%	3.3mA	1A	SOT223 TO252 SOT89-3

Three-terminal Positive Regulator (三端稳压器) BL 系列

Part No.	Features	VIN	VOUT	Accu.	IQ	IOUT (Max.)	Package	Application	Reference
BL78L05D	Three-terminal Positive Voltage Regulator	Max. 42V	5.0V	±2%	2mA	100mA	SOT89-3 SOP8 TO92	家电, 电表	
BL78L05G	Three-terminal Positive Voltage Regulator	Max. 42V	5.0V	±2%	2mA	100mA	SOT89-3	工业级 (125°C), 车载	
BL317B	High Current Adjustable Voltage Regulator	Max. 40V	ADJ	±4%	46μA	1.5A	TO220 TO252 TO263	STB	LM317

Three-terminal Positive Regulator (三端稳压器) ME 系列

Part No.	Features	VIN	VOUT	Accu.	IQ	IOUT (Max.)	Package
ME78L05	Bipolar, High Speed	Max. 30V	5.0V	±5%	3.5mA	100mA	SOT89-3
ME78M05	Bipolar, High Speed	Max. 35V	5.0V	±5%	3.5mA	500mA	TO252
ME7805	Bipolar, High Speed	Max. 35V	5.0V	±5%	3.5mA	1.2A	TO220
MEB78L05	Bipolar, High Accuracy, High Speed	Max. 36V	5.0V	±1%	3mA	100mA	SOT89-3 TO92
MEB78M05	Bipolar, High Accuracy, High Speed	Max. 40V	5.0V	±1%	3mA	500mA	TO252

Li-ion Battery Charger (锂电池充电芯片) BL 系列

Part No.	Features	VIN	Series Cells	Max. Charger	Charger Type	Output Accu.	Package	Application
BL8573	500mA/1.5A Linear Li-Ion Battery Charger	4.25~6.0V	1	500mA/1.5A	Linear	4.2V±1% 4.35V±1%	SOT23-6 ESOP8	单节锂电供电设备
BL8574	500mA Linear Li-Ion Battery Charger	4.25~6.0V	1	500mA	Linear	4.2V±1%	SOT23-5	单节锂电供电设备
BL8576	1A Linear Li-Ion Battery Charger	4.25~6.0V	1	1A	Linear	4.2V±1%	ESOP8	单节锂电供电设备
BL4056C	1A Lithium Ion Battery Linear Charger	4.2~9.0V	1	1A	Linear	4.2V±1% 4.35V±1%	ESOP8	单节锂电供电设备
BLL6028	750mA Single-Chip Li-Ion and Li-Pol Charge Management IC With Thermal Regulation	4.35~6.5V	1	750mA	Linear	4.2V±1%	DFN3x3-10L	单节锂电供电设备
BLL6113C	Fully Integrated 3A Single-cell Lithium Battery Charge Management IC With I ² C And NVDC Path Management	3.9~13.5V	1	3A	NVDC/Switch	4.2V±0.5%	QFN4x4-24L	单节锂电供电设备 智能手机

Li-ion Battery Charger (锂电池充电芯片) ME 系列

Part No.	Features	VIN	Series Cells	Max. Charger	Charger Type	Output Accu.	Package
ME4054-N	4.0-6.5V/500mA 带防倒灌, 单节锂电线性充电	4.0~6.5V	1	500mA	Linear	4.2V±1%	SOT23-5
ME4074	4.0-6.5V/800mA 带防倒灌, 单节锂电线性充电	4.0~6.5V	1	800mA	Linear	4.2V±1%	SOT23-5 DFN1.6×1.6-6L
ME4075	4.0-6.5V/800mA 磷酸铁锂电池线性充电	4.0~6.5V	1	800mA	Linear	3.6V±1%	SOT23-5
ME4056	4.0-8.0V/1A 单节锂电线性充电	4.0~8.0V	1	1A	Linear	4.2V±1% 4.34V±1%	ESOP8
ME4056-N	4.0-7.0V/900mA 单节锂电线性充电	4.0~7.0V	1	900mA	Linear	4.2V±1% 4.34V±1%	ESOP8
ME4057	4.7-6.5V/1A 带防倒灌、防反接, 单节锂电线性充电	4.7~6.5V	1	1A	Linear	4.2V±1% 4.34V±1% 4.4V±1%	ESOP8
ME4101	4.0-9.0V/800mA 超低静态功耗, 用于 TWS 耳机充电升压二合一	4.0~9.0V	1	800mA	Linear	4.2V±1%	ESOP8
ME4102	4.7-6.0V/800mA 超低静态功耗, 用于 TWS 耳机充电升压二合一	4.7~6.0V	1	800mA	Linear	4.2V±1%	SOP8
ME4064	4.0-6.0V/800mA 带防反接、防倒灌, 单节锂电线性充电	4.0~6.0V	1	800mA	Linear	4.2V±1% 4.34V±1%	SOT23-5 DFN2×2-6L
ME4064-N	4.0-9.0V/800mA 带防反接、防倒灌, 单节锂电线性充电	4.0~9.0V	1	800mA	Linear	4.2V±1% 4.34V±1%	SOT23-5 DFN2×2-6L
ME4055	4.0-6.5V/800mA 带防反接、防倒灌, 单节锂电线性充电	4.0~6.5V	1	800mA	Linear	4.2V±1%	SOT23-6 SOT23-5
ME4055-N	4.0-9.0V/800mA 带防反接、防倒灌, 单节锂电线性充电	4.0~9.0V	1	800mA	Linear	4.2V±1% 4.34V±1%	SOT23-6
ME4057-N	4.25-9.0V/1A 带防倒灌、防反接, 单节锂电线性充电	4.25~9.0V	1	1A	Linear	4.2V±1% 4.35V±1% 4.4V±1%	ESOP8 DFN2×2-8L
ME4059-N	4.7-5.5V/1.5A 带防倒灌, 单节锂电池开关型充电	4.7~5.5V	1	1.5A	Switch	4.2V±1% 4.34V±1%	ESOP8
ME4058	6.0-20V/2A 单节、多节锂电开关型充电	6.0~20V	1/2/3	2A	Switch	4.2V±1% 4.35V±1% 8.4V±1% 8.7V±1% 12.6V±1% 13.05V±1%	SOP8
ME4069	4.7-5.5V/1.8A 单节锂电开关型充电	4.7~5.5V	1	1.8A	Switch	4.2V±1% 4.35V±1%	ESOP8

Li-ion Battery Charger (锂电池充电芯片) ME 系列

Part No.	Features	VIN	Series Cells	Max. Charger	Charger Type	Output Accu.	Package
ME4032	4.7-5.5V/1A 双节升压型锂电池管理	4.7~5.5V	2	1A	Switch	8.4V±1%	ESOP8 DFN3×3-10L
ME4052	8.9-15V/1A 双节锂电开关型充电	8.9~15V	2	1A	Linear	8.4V±1%	ESOP8
ME4084	24V 耐压 600mA 单节锂电池线性充电	4.7~24V	1	600mA	Linear	4.2V±1%	SOT23-5 SOT23-6 ESOP8 FBP2×2-6L DFN2×2-8L DFN3×3-8L
ME4085	24V 耐压 200mA, 充电截止电流可调, 单节锂电池线性充电	4.7~24V	1	200mA	Linear	4.2V±1%	DFN2×2-8L
ME4086A	4.7-16V 耐压 2A 单节锂电开关型充电	4.7~16V	1	2A	Switch	4.2V±1%	ESOP8
ME4086B	4.7-16V 耐压 2A 单节锂电开关型充电	4.7~16V	1	2A	Switch	4.35V±1%	ESOP8 DFN3×3-10L
ME4086E	14-22V 耐压 1.5A 三节锂电开关型充电	14~22V	3	1.5A	Switch	12.6V±1%	ESOP8
ME4094	36V 耐压 1A 单节锂电池线性充电	4.7~36V	1	1A	Linear	4.2V±1%	SOT23-5 SOT23-6 ESOP8 FBP2×2-6L DFN2×2-8L DFN3×3-10L
ME4095	36V 耐压 1A 单节锂电池线性充电	4.7~36V	1	1A	Linear	4.2V±1%	SOT23-5

Li-ion Battery Protection (锂电池保护芯片) ME 系列

Part No.	V _{CU_n}	V _{CR_n}	V _{DL_n}	V _{DR_n}	V _{CIP}	I _{DD}	Package	Application
ME4210	4.15±0.025V	4.0±0.05V	2.40±0.05V	2.80±0.05V	-200~-70mV	3.0μA	SOT23-5 SOT23-6	单节集成 MOS 锂电保护
ME4211	4.3±0.05V	4.1±0.05V	2.40±0.1V	3.00±0.1V	-200~-70mV	3.0μA	SOT23-6 TSSOP8	单节集成 MOS 锂电保护
ME4212	4.28±0.025V	4.08±0.05V	2.90±0.08V	3.00±0.1V	-200±30mV	5.0μA	SOT23-6	2 节锂电保护
	4.35±0.025V	4.15±0.05V	2.30±0.08V	3.00±0.1V	-200±30mV			
	4.28±0.025V	4.08±0.05V	2.25±0.08V	2.95±0.1V	-200±30mV			
	4.28±0.025V	4.08±0.05V	2.80±0.08V	3.00±0.1V	-200±30mV			
	4.25±0.025V	4.05±0.05V	2.50±0.08V	3.00±0.1V	-100±30mV			
	4.25±0.025V	4.05±0.05V	2.80±0.08V	3.00±0.1V	-100±30mV			
	4.25±0.025V	4.05±0.05V	2.50±0.08V	3.00±0.1V	-200±30mV			
	4.225±0.025V	3.98±0.05V	2.79±0.08V	3.00±0.1V	-100±30mV			
4.30±0.025V	4.15±0.05V	2.30±0.08V	3.00±0.1V	-200±30mV				
ME4222	3.65±0.025V	3.45±0.05V	2.00±0.08V	2.50±0.1V	-200±30mV	5.0μA	SOT23-6	2 节磷酸铁锂电池保护
	3.80±0.025V	3.70±0.05V	2.20±0.08V	2.50±0.1V	-200±30mV			
ME4214	4.25±0.025V	4.15±0.05V	2.70±0.08V	3.00±0.1V	-200±30mV	7.0μA	MSOP10	1/2 节带级联锂电保护

LED Lighting Driver (LED 照明驱动电路) BL 系列

Part No.	MODE	VIN	IOUT	Accu.	FOSC	VFB	Package	Application
BLL1912	Linear	2.0~10V	1~300mA	±2%	-	1.2V	SOT23-3 SOT89-3	LED Luminaires
BLL1970	Linear	4.5~500V	Max. 100mA	±4%	-	0.6V	ESOP8 SOT89-3 TO252	LED Luminaires

LED Backlight/Lighting Driver (LED 背光、照明驱动电路) ME 系列

Part No.	MODE	VIN	IOUT	Accu.	FOSC	VFB	Package	Application
MEL71XX	Linear	2.7~6.0V	260~350mA	±10%	-	-	SOT89-3 SOT23-3	LED 照明
MEL71XX-N	Linear	2.7~5.5V	100~400mA	±5%	-	-	SOT89-3 SOT23-3	LED 照明
MEL7136	Linear	2.7~18V	Max. 1A	±5%	-	Vcs=100mV	SOT89-5 SOT23-5 ESOP8	LED 照明
ME2215	PFM/Buck	6.0~36V	Max. 1A	±5%	1MHz	100±5mV	SOT89-5	LED 照明
ME2206-N	PWM/Boost	0.9~3.5V	Max. 1A	±10%	900KHz	100±10mV	SOT23-6	LED 照明
ME2209	PWM/Boost	0.9~3.5V	Max. 1A	±10%	900KHz	100±10mV	SOT23-6	LED 照明
ME2212	PWM/Boost	2.5~5.5V	Max. 260mA	±5%	1MHz	200±10mV	SOT23-6	背光 10 串 -3x13LED
ME2214	PWM/Boost	2.5~5.5V	Max. 260mA	±5%	1MHz	200±10mV	SOT23-6	背光 6 串 -3x13LED
ME2216	PWM/Boost	2.5~5.5V	Max. 260mA	±5%	1MHz	200±10mV	SOT23-6	背光 6x6-3x13LED
MEDS92630	Linear	4.5~40V	10~150mA/channel	-	-	-	ETSSOP16	三通道汽车尾灯 LED 驱动
MEQDS7610	Linear	4.5~40V	10~450mA	-	-	-	TSSOP14 MSOP8	单通道汽车尾灯 LED 驱动

LED Screen Driver (LED 显示驱动电路) ME 系列

Part No.	MODE	LED Number	VIN	IOUT	Refresh Frequency	Package	Application
ME7400	恒压阵列	16×8	4.5~5.5	≈400mA(Red Led)	250Hz	LQFP10×10-44L	显示面板 / 白电
ME7400A	恒压阵列	16×8	4.5~5.5	≈400mA(Red Led)	250Hz	SOP32	显示面板 / 白电
ME7400B	恒压阵列	14×8	4.5~5.5	≈400mA(Red Led)	250Hz	SOP32	显示面板 / 白电
ME7400C	恒压阵列	15×8	4.5~5.5	≈400mA(Red Led)	250Hz	SOP32	显示面板 / 白电
ME7400D	恒压阵列	12×8	4.5~5.5	≈400mA(Red Led)	250Hz	SOP32	显示面板 / 白电
ME7300	恒流阵列	8×16	4.5~5.5	1A	100~800Hz	SOP28 EQSOP28	显示面板 / 白电
ME7500	恒流阵列	8×8	4.5~5.5	250mA	500Hz	SOP20 SSOP20(e=0.635) QFN3×3-20L	显示面板 / 白电
ME7501	恒流阵列	8×8	4.5~5.5	320mA	500~2KHz	SSOP20(e=0.635) QFN3×3-20L	显示面板 / 白电

Load Switch (精密限流负载开关) BL 系列

Part No.	Features	VIN	IQ	Current Limit Threshold	Power Switch On Resistance	Package	Application	Reference
BL2556	5V USB High Side Current Limited Load Switch	2.7~5.5V	50μA	2A	70mΩ	SOT23-5	USB Periphery	

Load Switch (精密限流负载开关) ME 系列

Part No.	Features	VIN	IQ	Power Switch On Resistance	IOC	IOC Accuracy	Package
ME1501	EN 低有效	2.7~5.5V	50μA	70mΩ	2.1A	±15%	SOT23-5 SOT23-3
ME1502	EN 高 / 低有效	2.7~5.5V	50μA	70mΩ	Adjustable	±15%	SOT23-5 SOT23-6

Voltage Detector/Reset IC (电压检测器 / 复位芯片) BL 系列

Part No.	Output Type	VIN	VDET	Accu.	IQ	Output Delay Time	Package	Application	Reference
BL8504	N-channel Open-drain(Active Low) Hysteresis 4%	0.7~10V	0.9~6.0V 0.1V step	±3%	1uA	-	SOT23-3	Power monitor, Logic Circuit Reset, Battery Checker, Power Failure Detector	
BL8506	CMOS(Active Low) or N-channel Open-drain(Active Low) Hysteresis 4%	0.7~10V	0.9~6.0V 0.1V step	±2%	1μA	-	SOT23 SOT23-3 SC82 SOT23-5 SOT89-3 TO92	Power Monitor, Logic Circuit Reset, Battery Checker, Power Failure Detector	R3111, XC61C, HT70XX
BL8518	CMOS(Active Low) or N-channel Open-drain(Active Low)	1.2~6.0V	2.63, 2.93V	±2%	4.5μA	200ms	SOT23	Power Monitor, Logic Circuit Reset, Battery Checker, Power Failure Detector	MAX809

Voltage Detector/Reset IC (电压检测器 / 复位芯片) ME 系列

Part No.	Output Type	VIN	VDET	Accu.	IQ	Output Delay Time	Package
ME2803	CMOS	0.7~7.0V	1.0~6.5V	±1%	0.7μA	N/A	SOT23-3
ME2804	NMOS	0.7~7.0V	1.0~6.5V	±1%	0.7μA	N/A	SOT23-3
ME2805	CMOS	0.7~7.0V	1.0~6.5V	±1%	0.9μA	200ms/50ms/20ms	SOT23 SOT23-3 SOT23-5 DFN1.2×1.6-4L DFN2.0×2.0-6L
ME2806	NMOS	0.7~7.0V	1.0~6.5V	±1%	0.9μA	200ms/50ms/20ms	SOT23 SOT23-3 SOT23-5 DFN1.2×1.6-4L DFN2.0×2.0-6L
ME2805-N	CMOS	0.7~6.0V	1.0~5.5V	±1%	0.9μA	200ms/50ms	SOT23
ME2806-N	NMOS	0.7~6.0V	1.0~5.5V	±1%	0.9μA	200ms/50ms	SOT23
ME2807	CMOS	1.5~18V	2.0~7.0V	±1%	1.8μA	N/A	TO92 SOT23 SOT23-3 SOT89-3 SOT23-5 DFN1.2×1.6-4L FBP1×1-4L
ME2808	NMOS	1.5~18V	2.0~7.0V	±1%	1.8μA	N/A	TO92 SOT23 SOT23-3 SOT89-3 SOT23-5 DFN1.2×1.6-4L FBP1×1-4L
ME2815	CMOS	0.7~6.0V	1.0~5.0V	±1%	0.5μA	Adjustable	SOT23-5
ME2816	NMOS	0.7~6.0V	1.0~5.0V	±1%	0.5μA	Adjustable	SOT23-5

DDR Memory Power IC (DDR 存储器电源芯片) ME 系列

Part No.	VIN (Max)	VCNTL (Max)	Output Source Current (Max)	Output Sink Current (Max)	VOUT	VOS	IQ	Vdrop @1A	Key Features	DDR Memory Type	Package
ME6404	6V	N	3A	3A	1.25V/0.9V	±20mV	6.5mA	175mV	EN/OCP/SCP/OTP	DDR1, DDR2	SOP8
ME6403	5.5V	5.5V	3A	N	0.8V~(V _{IN} -V _{DROP})	N	1mA	77mV	EN/POK/OCP/SCP/OTP/SST	DDR1, DDR2, DDR3, DDR4	ESOP8 DFN3×3-10L
ME6406	3.6V	5.5V	3A	3A	0.6~1.25V	±20mV	1mA	150mV	EN/OCP/OTP	DDR1, DDR2, DDR3, DDR4	DFN3×3-10L

*EN: Enable Control SCP: Short Circuit Protection OCP: Over Current Protection OTP: Over Temperature Protection DCS: Discharge Shunt POK: Power-OK SST: Soft Start

Inverting-Negative Output (反相 - 输出负压) ME 系列

Part No.	VIN	VOUT	IQ	Eff.	Package	Application
ME7660	2.5~10V	-2.5 ~ -10V	40μA	98%	SOP8 DIP8	LCD Display

AC/DC Converter (AC/DC 转换器) BL 系列

PSR 系列

Part No.	Pout (Max.)	Drive Device	BVDSS	MODE	Standby Power	OVP	Package	Application	Reference
BL8802B	10W	MOSFET	1000V	PSR	<75mW	Y	DIP7	智能电表, 户外监控, 高输入电压的 AC/DC 方案	
BL8812B	10W	MOSFET	650V	PSR	<75mW	Y	SOP7	充电器, 适配器, LED 驱动电源	OB2500

SSR 系列

Part No.	Pout (Max.)	Drive Device	MODE	Standby Power	Power on Soft-Start	OVP	Package	Application	Reference
BL8851	60W	External MOSFET	SSR	<0.15W	Y	Y	SOT23-6	电源适配器, 机顶盒电源, 小家电电源	OB2273

AC/DC Converter (AC/DC 转换器) ME 系列

PSR 系列

Part No.	Pout (85-264V)	Drive Device	MODE (Flyback)	Standby Power	Freq	Accu. CC/CV	OVP	Package
ME8320-N	50W	External NMOS	PFM/QR	≤60mW	120KHz	5%/5%	Y	SOT23-6
ME8311	6W	Internal NMOS	PFM	≤30mW	65KHz	5%/5%	Y	SOP8 SOP7
ME8321-N	6W	Internal NMOS	PFM/QR	≤60mW	120KHz	5%/5%	Y	SOP7
ME8327	15W	Internal NMOS	PFM/QR	≤100mW	120KHz	5%/5%	Y	SOP7

AC/DC Converter (AC/DC 转换器) ME 系列

PSR 系列

Part No.	Pout (85-264V)	Drive Device	MODE (Flyback)	Standby Power	Freq	Accu. CC/CV	OVP	Package
ME8327-N	15W	Internal NMOS	PFM/QR	≤60mW	120KHz	5%/5%	Y	SOP7
ME8325-N	15W	Internal NMOS	PFM/QR	≤60mW	120KHz	5%/5%	Y	DIP7
ME8328	10W	Internal NMOS	PFM/QR	≤30mW	120KHz	5%/5%	Y	SOP7
ME8329-N	30W	Internal NMOS	PFM/QR	≤60mW	120KHz	5%/5%	Y	SOP7 DIP7

SSR 系列

Part No.	Pout (85-264V)	Drive Device	MODE	Standby Power	Freq	Accu.	Feature	Package
ME8200-N	45W	External NMOS	PWM	≤100mW	55~75KHz	±1%	Freq Shuffling /OTP/OVP	SOT23-6 DIP8 SOP8
ME8206	100W	External NMOS	PWM/QR	≤100mW	70KHz	±1%	OTP/OVP	SOP8
ME8125	4W	Internal BJT	PWM	≤100mW	60KHz	±1%	OTP/OVP	SOP6
ME8155	5W	Internal BJT	PWM	≤75mW	60KHz	±1%	OTP/OVP	SOP6
ME8115A/C/E	12W	Internal BJT	PWM	≤100mW	60KHz	±1%	OTP/OVP	DIP8 DIP7 SOP7
ME8117	12W	Internal BJT	PWM	≤100mW	60KHz	±1%	OTP/OVP	DIP8 DIP7
ME8107A/B/C	15W	Internal NMOS	PWM	≤100mW	65KHz	±1%	OVP	DIP8 DIP7
ME8112	15W	Internal NMOS	PWM	≤100mW	65KHz	±1%	OTP/OVP	DIP7
ME8115B/D/F	15W	Internal BJT	PWM	≤100mW	60KHz	±1%	OTP/OVP	DIP8 DIP7 SOP7
ME8113	18W	Internal NMOS	PWM	≤100mW	65KHz	±1%	OTP/OVP	DIP7
ME8103	18W	Internal NMOS	PWM	≤100mW	65KHz	±1%	OTP/OVP	SOP8
ME8165	20W	Internal BJT	PWM	≤100mW	60KHz	±1%	OTP/OVP/OPP	DIP7 DIP8 SOP8
ME8116	20W	External BJT	PWM	≤100mW	60KHz	±1%	OTP/OVP	ESOP8
ME8123	36W	Internal NMOS	PWM	≤100mW	65KHz	±1%	OTP/OVP	DIP8
ME8136	20W	Internal NMOS	PWM	≤100mW	65KHz	±1%	Freq Shuffling/OVP	DIP8
ME8213	100W	External NMOS	PWM/QR	≤30mW	65KHz	±1%	X Discharge/HV Start/OTP	SOP8
ME8224	45W	External NMOS	PWM/QR	≤75mW	65KHz	±1%	OTP/OVP	SOT23-6
ME8133	24W	Internal NMOS	PWM	≤75mW	65KHz	±1%	OTP/OVP	SOP8
ME8226	45W	External NMOS	PWM	≤75mW	65KHz	±1%	OTP/OVP	SOT23-6
ME8132A/B/C	36W/36W/65W	Internal NMOS	PWM	≤75mW	65KHz	±1%	OTP/OVP	DIP8 DFN8×8-5L
ME8128	45W	External E_GaN	PWM/QR	≤75mW	200KHz	±1%	OTP/OVP	DFN5×6-8L
ME8230	45W	Internal NMOS	PWM/PFM	≤30mW	65~200KHz	±1%	OTP/OVP	DIP7
ME3843	-	External MOS	PWM	-	ADJ	±1%	OTP/OPP	SOP8

Non-Isolation HV BUCK ME86 Series (非隔离型降压芯片 ME86 系列) ME 系列

Part No.	MODE	IQ	Ron(MOS)	BVDS	Power (85-265V)	Package
ME8604	Buck	220μA	10Ω	650V	2~10W	SOP7 DIP7 SOP6
ME8624	Buck	500μA	7Ω	600V	4W	SOP8

AC LED Driver (AC 输入 LED 驱动芯片) ME 系列

Part No.	MODE	PF	Power (85-265V)	Accu.	MOS	Segment	Package
ME8608-N1	Linear	0.5/0.9	16W	±4%	Internal	Single String	ESOP8 TO252 SOT89-3
ME8608-N2	Linear	0.5/0.9	10W	±4%	Internal	Single String	ESOP8 TO252
ME8610	Buck	0.9	30W	±3%	External	NA	SOT23-6
ME8611	Buck	0.9	12W	±3%	Internal	NA	SOP7
ME8615	Buck	0.9	18W	±3%	Internal	NA	DIP7
ME8617	Buck	0.9	18W	±3%	Internal	NA	SOP7
ME8620	Linear	0.5/0.9	16W	±5%	Internal	Single String	ESOP8
ME8621	Linear	0.9	16W	±5%	Internal	Single String	ESOP8
ME8628	Linear	0.5/0.9	16W	±5%	Internal	Single String	ESOP8

Synchronous Rectification Controller (同步整流控制器) ME 系列

Part No.	VOUT	Operating Mode	TR	TF	Package
ME8411-N	5.0V	DCM/QR	100ns	100ns	SOP8
ME8413	5.0V	DCM/QR	70ns	50ns	SOP7
ME8414	5.0V	DCM/QR	70ns	50ns	SOP8
ME8415	5.0~20V	CCM/DCM/QR	60ns	22ns	SOT23-5
ME8418	3.3~24V	CCM/DCM/QR	120ns	30ns	SOT23-6

X Capacitor Discharge IC (X 电容自动放电芯片) ME 系列

Part No.	BV	Total X Capacitance	I _{SUPPLY}	Consumption (230 VAC)	Package
ME8701	1000V	100nF-6μF	15μA	<5mW	SOP8

High-Accuracy Reference (高精度基准) ME 系列

Part No.	Vin(Max.)	VOUT	Accu.	Temp Coeff	Source/Sink Current (Max.)	Package
ME6901	36V	5V	±0.05%	3ppm/°C	6mA/10mA	DIP8 SOP8

AC/DC Converter Supply (恒压恒流控制器) ME 系列

Adjustable Precision Shunt Regulators (可调节精密基准电压源)

Part No.	V_{KA}	I_{KA}	V_{REF}	Voltage Tolerance	Minimum Cathode Current For Regulation $I_{KA(MIN)}$	Package
ME431A	VREF to 36V	1 to 100mA	2.5V	±0.4%	400μA	TO92 SOT23 SOT89-3
ME431B	VREF to 36V	1 to 100mA	2.5V	±1%	400μA	TO92 SOT23 SOT89-3
ME431C	VREF to 36V	1 to 100mA	2.5V	±0.2%	400μA	TO92 SOT23 SOT89-3
ME431D	VREF to 36V	1 to 100mA	2.55V	±0.5%	400μA	SOT23
MEQ431A	VREF to 36V	1 to 100mA	2.5V	±0.4%	400μA	TO92 SOT23 SOT89-3
ME432A	VREF to 18V	0.1 to 100mA	1.25V	±0.5%	70μA	TO92 SOT23
ME432B	VREF to 18V	0.1 to 100mA	1.25V	±1%	70μA	TO92 SOT23
MEQ432A	VREF to 18V	0.1 to 100mA	1.25V	±0.5%	70μA	SOT23
ME431L	VREF to 36V	0.035 to 80mA	2.5V	±0.5%/ 1%	35μA	TO92 SOT23 SOT89-3
ME4040	VREF to 18V	0.1 to 15mA	2.048V	±0.1%/ 0.2%/ 0.5%	70μA	SOT23

19

Constant Voltage And Constant Current Controller (恒压恒流控制器)

Part No.	V_{CC}	V_{SENSE}	V_{REF}	Voltage Tolerance	Supply Current	Package
ME4312B	36V	74mV	1.21V	±1.0%	1.5mA	SOP8
ME4312C	36V	212mV	1.21V	±0.5%	1.5mA	SOP8
ME4313B	18V	200mV	1.21V	±1.0%	1.2mA	SOT23-6
ME4313C	18V	70mV	1.21V	±0.5%	1.2mA	SOT23-6
ME4315	36V	70mV	1.21V	±1.0%	0.85mA	SOT23-6
ME4315L	40V	70mV	1.21V	±0.5%	0.05mA	SOT23-6

Smart Meter IC 表计芯片

Energy Measurement ASIC (电能计量专用电路)

Part No.	Measurement	Power Consumption	ADC Channels	Output	Clock	VDD	Calibration Free	Package	Application
BL0921	Active	20mW	3	Pulse	Internal	5.0V	×	SOP16	单相防窃电能表
BL0930F	Active 3000:1	10mW	2	Pulse	Internal	3.3V		TSSOP14	单相有功电能表 支持自动化校表
BL6503E	Active	15mW	2	Pulse	3.58MHz	5.0V	×	SSOP24	单相有功电能表
BL6513C	Active 3000:1	25mW	6	Pulse	3.58MHz	5.0V	×	SOP24	三相有功电能表
BL6523GX	PF, V, P, Multifunction (Active 6000:1, I, Freq.), S	25mW	3	UART/Pulse	3.58MHz	5.0V	×	SOP16	国网单相多功能电能表

Measurement IC Of IOT (物联网计量电路)

Part No.	Measurement	Power Consumption	ADC Channels	Output	Clock	VDD	Calibration Free	Package	Application
BL0937B	Multifunction (Active, I, V, P,)	6mW	2	Pulse	Internal	3.3V	×	SOP8	智能插座
BL0939	Multifunction (Active, I, V, P,)	10mW	3	UART/SPI	Internal	3.3V	✓	SOP16 SSOP20	电动自行车充电桩 单相智能断路器
BL0940	Multifunction (Active, I, V, P,)	8mW	2	UART/SPI	Internal	3.3V	✓	TSSOP14	DALI2.0 智能照明 智能家电计量模块
BL0942	Multifunction (Active, I, V, P, Freq.)	10mW	2	UART/SPI	Internal	3.3V	✓	SSOP10 TSSOP14	智能插座 智能家电计量模块
BL0910	1U10I Or 3U6I, Multifunction (Active 5000:1, Reactive 5000:1, Freq., PF, Q, S, P, V, I) /DC 2000:1	30mW	11	UART/SPI	Internal	3.3V	AC: ✓ DC: ×	LQFP48	多路充电桩 智能 PDU
BL0906	1U6I, Multifunction (Active 5000:1, Reactive 5000:1, Freq., PF, Q, S, P, V, I) /DC 2000:1	30mW	7	UART/SPI	Internal	3.3V	AC: ✓ DC: ×	LQFP32	直流检测模块
BL6552	3U4I, Multifunction (Active 5000:1, Reactive 5000:1, Freq., PF, Q, S, P, V, I)	30mW	7	UART/SPI	3.58MHz	3.3V		QFN36	三相智能断路器 三相电能质量监测
BL0971	1U1I, Multifunction (Active 5000:1, Reactive 5000:1, Freq., PF, Q, S, P, V, I) /DC 2000:1	10mW	2	UART/SPI	Internal	3.3V	AC: ✓ DC: ×	QFN20	单路交直流电信号 监控与采集
BL0973	1U2I, Multifunction (Active 5000:1, Reactive 5000:1, Freq., PF, Q, S, P, V, I) /DC 2000:1	10mW	3	UART/SPI	Internal	3.3V	AC: ✓ DC: ×	TSSOP28	双路交直流电信号 监控与采集

Residual Current Protection IC (剩余电流保护芯片)

Part No.	Protective Type	Active Voltage	VDD	Static Operating Current	Delay Time	Latch Output Time	Output Current	Package	Application
BL0945	AC	5mVrms	5V	240μA	5ms	30ms	300μA	SOP8	空开, 断路器
BL0947	A	5mVrms	5V	240μA	5ms	30ms	300μA	SOP8	空开, 断路器

Relay Driver (磁保持继电器驱动芯片)

Part No.	Features	VIN	VTH	Driving Current	Rds(on) Typ.	Package	Application
BL8023C	Bidirectional Relay Driver	5.0~36V	3V	300mA	12Ω@Vin=12V, 10Ω@Vin=30V	SOP8 DIP8	Smart Meter
BL8023D	Bidirectional Relay Driver	5.0~36V	3V	300mA	12Ω@Vin=12V, 10Ω@Vin=30V	SOT23-6	Smart Meter
BL8023F	Bidirectional Relay Driver	5.0~36V	2V	300mA	12Ω@Vin=12V, 10Ω@Vin=30V	SOT23-6 SOP8	Smart Meter
BL8023K	Bidirectional Relay Driver	5.0~40V	2V	400mA	7Ω@Vin=12V, 7Ω@Vin=30V	SOT23-6 SOP8	Smart Meter
ME1520	Bidirectional Relay Driver	5.0~40V	1.3V	400mA	7Ω@Vin=12V, 6Ω@Vin=30V	SOT23-6 SOP8	Smart Meter

LCD Display Driver (液晶显示驱动芯片)

Part No.	Features	IDD (Power Saving)	IDD (Normal Mode)	Interface	Supple Voltage	Package	Reference
BL55066B	4 x 24 SEG	9μA@3.3V	25μA@5V	Two-wire Serial	2.5~5.5V	LQFP44	PCF8566
BL55073	4 x 19 SEG	7.5μA@3.3V	10μA@5V	Two-wire Serial	2.5~5.5V	TSSOP28	
BL55072A	4 x 36 SEG	7.5μA@3.3V	10μA@5V	Two-wire Serial	2.5~5.5V	TSSOP48	BU9792
BL55077	4 x 40 SEG	9μA@3.3V	25μA@5V	Two-wire Serial	2.5~5.5V	LQFP64	PCF8576C
BL55080	8 x 35 SEG	8μA@3.3V	10μA@5V	Two-wire Serial	2.5~5.5V	TSSOP48 LQFP48	BU97950
BL55088	8 x 38 SEG 6 x 38 SEG	9μA@3.3V	12μA@5V	Two-wire Serial	2.5~5.5V	LQFP52	

SoC 系统级专用芯片

Meter SOC (电能表专用系统级芯片)

Part No.	CPU	VDD	Flash	RAM	Measurement Features	LCD Driver	GPIO	RTC	Crystal(Hz)	Encrypt	I ² C	SPI	UART	7816	Package
BL66A0242	ARM-M0	2.4~5.5V	256KB	32KB	3×Σ-Δ	4COM×22SEG 6COM×20SEG 8COM×18SEG	42	✓	32.768K	AES 256/ 192/128	1	1	4	2	LQFP64 (7×7)

General Purpose MCU (通用微控制器)

Part No.	VDD	ROM	RAM	TIMER	OSC	I/O	INT	ADC	PWM	Package	OTHER
BL23M1610	1.8~5.5V	16Kx8 MTP	512B	3x16bit	ILRC 32KHz, IRC 8MHz	22	4	13CHx12bit	3CH	SOP20 QFN20 QFN24	STOP, WAIT, KBI, CMP, I ² C, UART
BL32F3210	2.0~5.5V	32Kx8 Flash	2KB	3x16bit	ILRC 32KHz, IRC 24MHz	26	26	15CHx12bit	3CH	TSSOP20 TSSOP28 QFN20 QFN24	STOP, WAIT, I ² C, UART

Optical Transceiver SOC (光模块专用微控制器)

Part No.	VDD	IRC	ROM/EE	RAM	GPIO	Timer	PWM	U(S)ART	Interface	ADC	DAC	Temperature Sensor	Package
BL32F3202NP	2.0~5.5V	32MHz	32K Flash	2KB	17	3 x16bit	3CH	1	2x I2C	10 + 1	-	±2°C	QFN20
BL32F3222NQ	2.0~5.5V	32MHz	32K Flash	2KB	20	3 x16bit	3CH	1	2x I2C	14 + 1	12bit x2CH	±2°C	QFN24
BL32F3222NR	2.0~5.5V	32MHz	32K Flash	2KB	29	3 x16bit	3CH	1	2x I2C	22 + 1	12bit x2CH	±2°C	QFN32
BL32F3232NQ	2.0~5.5V	32MHz	32K+15K Flash	2KB	17	3 x16bit	3CH	1	2x I2C	14 + 1	12bit x4CH	±2°C	QFN24
BL32F3232NR	2.0~5.5V	32MHz	32K+15K Flash	2KB	27	3 x16bit	3CH	1	2x I2C	22 + 1	12bit x4CH	±2°C	QFN32
BL32F5121	1.8~3.6V	144MHz	512K	144K	62	8x16bit	3+4CH	3/4	4x I ² C, 3xSPI, 1xQSPI	28	12bit x2CH	-	BGA64
BL32F5122	1.8~3.6V	144MHz	512K	144K	62	8x16bit	3+4CH	3/4	4x I ² C, 3xSPI, 1xQSPI	28	12bit x2CH	-	BGA64

Isolator 隔离器芯片

Digital Isolator (数字隔离器)

Part No.	VDD	Data Rate	Channel	Forward/Reverse	Viso	Default Output	Integrated Power/Interlock	Package	Application
BL7120AL	2.35~5.5V	100Mbps	2	2/0	3750Vrms	L	No/No	SOP8	接口、多路信号隔离
BL7120AH	2.35~5.5V	100Mbps	2	2/0	3750Vrms	H	No/No	SOP8	接口、多路信号隔离
BL7121AL	2.35~5.5V	100Mbps	2	1/1	3750Vrms	L	No/No	SOP8	接口、多路信号隔离
BL7121AH	2.35~5.5V	100Mbps	2	1/1	3750Vrms	H	No/No	SOP8	接口、多路信号隔离
BL7122AL	2.35~5.5V	100Mbps	2	1/1	3750Vrms	L	No/No	SOP8	接口、多路信号隔离
BL7122AH	2.35~5.5V	100Mbps	2	1/1	3750Vrms	H	No/No	SOP8	接口、多路信号隔离
BL7120BL	2.35~5.5V	100Mbps	2	2/0	5000Vrms	L	No/No	SOW8	接口、多路信号隔离
BL7120BH	2.35~5.5V	100Mbps	2	2/0	5000Vrms	H	No/No	SOW8	接口、多路信号隔离
BL7121BL	2.35~5.5V	100Mbps	2	1/1	5000Vrms	L	No/No	SOW8	接口、多路信号隔离
BL7121BH	2.35~5.5V	100Mbps	2	1/1	5000Vrms	H	No/No	SOW8	接口、多路信号隔离
BL7122BL	2.35~5.5V	100Mbps	2	1/1	5000Vrms	L	No/No	SOW8	接口、多路信号隔离
BL7122BH	2.35~5.5V	100Mbps	2	1/1	5000Vrms	H	No/No	SOW8	接口、多路信号隔离
BL7140WL	2.35~5.5V	100Mbps	4	4/0	5000Vrms	L	No/No	SOW16	接口、多路信号隔离
BL7140WH	2.35~5.5V	100Mbps	4	4/0	5000Vrms	H	No/No	SOW16	接口、多路信号隔离
BL7141WL	2.35~5.5V	100Mbps	4	3/1	5000Vrms	L	No/No	SOW16	接口、多路信号隔离
BL7141WH	2.35~5.5V	100Mbps	4	3/1	5000Vrms	H	No/No	SOW16	接口、多路信号隔离

Digital Isolator (数字隔离器)

Part No.	VDD	Data Rate	Channel	Forward/Reverse	Viso	Default Output	Integrated Power/Interlock	Package	Application
BL7142WL	2.35~5.5V	100Mbps	4	2/2	5000Vrms	L	No/No	SOW16	接口、多路信号隔离
BL7142WH	2.35~5.5V	100Mbps	4	2/2	5000Vrms	H	No/No	SOW16	接口、多路信号隔离
BL7140SL	2.35~5.5V	100Mbps	4	4/0	3750Vrms	L	No/No	SSOP16	接口、多路信号隔离
BL7140SH	2.35~5.5V	100Mbps	4	4/0	3750Vrms	H	No/No	SSOP16	接口、多路信号隔离
BL7141SL	2.35~5.5V	100Mbps	4	3/1	3750Vrms	L	No/No	SSOP16	接口、多路信号隔离
BL7141SH	2.35~5.5V	100Mbps	4	3/1	3750Vrms	H	No/No	SSOP16	接口、多路信号隔离
BL7142SL	2.35~5.5V	100Mbps	4	2/2	3750Vrms	L	No/No	SSOP16	接口、多路信号隔离
BL7142SH	2.35~5.5V	100Mbps	4	2/2	3750Vrms	H	No/No	SSOP16	接口、多路信号隔离
BL7160WL	2.35~5.5V	100Mbps	6	6/0	5000Vrms	L	No/No	SOW16	接口、多路信号隔离
BL7160WH	2.35~5.5V	100Mbps	6	6/0	5000Vrms	H	No/No	SOW16	接口、多路信号隔离
BL7161WL	2.35~5.5V	100Mbps	6	5/1	5000Vrms	L	No/No	SOW16	接口、多路信号隔离
BL7161WH	2.35~5.5V	100Mbps	6	5/1	5000Vrms	H	No/No	SOW16	接口、多路信号隔离
BL7162WL	2.35~5.5V	100Mbps	6	4/2	5000Vrms	L	No/No	SOW16	接口、多路信号隔离
BL7162WH	2.35~5.5V	100Mbps	6	4/2	5000Vrms	H	No/No	SOW16	接口、多路信号隔离
BL7163WL	2.35~5.5V	100Mbps	6	3/3	5000Vrms	L	No/No	SOW16	接口、多路信号隔离
BL7163WH	2.35~5.5V	100Mbps	6	3/3	5000Vrms	H	No/No	SOW16	接口、多路信号隔离
BL7166WL	2.35~5.5V	100Mbps	6	6/0	5000Vrms	L	No/Yes	SOW16	多路信号隔离、电机驱动
BL7160SL	2.35~5.5V	100Mbps	6	6/0	3750Vrms	L	No/No	SSOP16	接口、多路信号隔离
BL7160SH	2.35~5.5V	100Mbps	6	6/0	3750Vrms	H	No/No	SSOP16	接口、多路信号隔离
BL7161SL	2.35~5.5V	100Mbps	6	5/1	3750Vrms	L	No/No	SSOP16	接口、多路信号隔离
BL7161SH	2.35~5.5V	100Mbps	6	5/1	3750Vrms	H	No/No	SSOP16	接口、多路信号隔离
BL7162SL	2.35~5.5V	100Mbps	6	4/2	3750Vrms	L	No/No	SSOP16	接口、多路信号隔离
BL7162SH	2.35~5.5V	100Mbps	6	4/2	3750Vrms	H	No/No	SSOP16	接口、多路信号隔离
BL7163SL	2.35~5.5V	100Mbps	6	3/3	3750Vrms	L	No/No	SSOP16	接口、多路信号隔离
BL7163SH	2.35~5.5V	100Mbps	6	3/3	3750Vrms	H	No/No	SSOP16	接口、多路信号隔离
BL7166SL	2.35~5.5V	100Mbps	6	6/0	3750Vrms	L	No/Yes	SSOP16	多路信号隔离、电机驱动

Standard Interface Circuit 接口电路

RS-485 Transceivers (RS-485 收发器)

Part No.	Features	VDD	Data Rate (Max.)	ICC	Max. Points	Package	Range Of Temp.	Reference
BL3085(I47)	±15KV ESD Protected RS485 Transceivers	3.3V, 5.0V	500kbps	0.4mA	256	SOP8	-40~+85°C	MAX3085
BL3085N(I56)	±15KV ESD Protected Bus-Polarity Correcting RS485 Transceivers	5.0V	500kbps	0.4mA	256	SOP8	-40~+85°C	Self-adaption
BL3085(I4B)	±30KV ESD Protected RS485 Transceivers	5.0V	500kbps	0.4mA	256	SOP8	-40~+85°C	MAX3085
BL3085B	±18KV ESD Protected RS485 Transceivers	5.0V	250kbps	0.2mA	256	SOP8	-40~+85°C	MAX3085
BL3085A(H)	±15KV ESD Protected RS485 Transceivers	3.3V, 5.0V	250kbps	0.4mA	256	SOP8	-40~+85°C	MAX3085
BL1585B	±15KV ESD Protected RS485 Transceivers	5.0V	500kbps	0.2mA	256	SOP8	-40~+85°C	
BL1587	±15KV ESD Protected RS485 Transceivers	5.0V	4Mbps	0.9mA	128	SOP8	-40~+85°C	
BL1590	±15KV ESD Protected RS485 Transceivers	3.3V, 5.0V	16Mbps	1.5mA	32	SOP8	-40~+125°C	SN65176
BL3090	±15KV ESD Protected Full-duplex RS485/RS422 Transceivers	3.3V, 5.0V	500kbps	0.7mA	256	SOP8	-40~+85°C	
BL3085(I47)-T	±24KV ESD Protected RS485 Transceivers	3.3V, 5.0V	500kbps	0.4mA	256	SOP8	-40~+85°C	
BL3085N(I56)-T	±24KV ESD Protected Bus-Polarity Correcting RS485 Transceivers	5.0V	500kbps	0.4mA	256	SOP8	-40~+85°C	Self-adaption

Isolated RS-485 Transceivers (隔离式 RS-485 收发器)

Part No.	Features	VDDA (Logic-Side)	VDDB (Bus-Side)	Data Rate	VISO	CMTI	Max. Points	Package	Range Of Temp.	Reference
BL7385	±15KV ESD Protected Isolated RS485 Transceivers	3.15~5.5V	4.5~5.5V	500Kbps	5KVRMS	100kV/μs	256	SOIC16W	-40~+85°C	ISO3082
BL7390	±15KV ESD Protected Isolated RS485 Transceivers	3.15~5.5V	3.0~5.5V	16Mbps	5KVRMS	100kV/μs	32	SOIC16W	-40~+125°C	

RS-232 Transceivers (RS-232 收发器)

Part No.	Features	VCC	Data Rate (Max.)	No. of Tx.	No. of Rx.	Package	Range Of Temp.	Reference
BL13232E	±15KV ESD Protected RS-232 Transceivers	3.0~5.5V	250kbps	2	2	SOP16 TSSOP16	-40~+125°C	MAX3232E

Level Shifters (电平转换器)

Part No.	Features	Translators per Package	Data Rate (Mbps)	VCCA Range (V)	VCCB Range (V)	Direction	Package	Range Of Temp.	Reference
BL15102	2-Bit Bidirectional Voltage-Level Translator	2	24/2	1.65~5.5	2.3~5.5	Bidirectional	SOT23-8	-40~+125°C	SGM4553

Video Filter Driver (视频滤波驱动)

Part No.	Features	-3dB BandWidth	VDD	ESD	Package	Applications	Reference
BL1511B	1 Channel 5 th Order Standard Definition Video Filter Driver	8 MHz	3.3~5.5V	8KV	SC70-5	Set Top Box	SGM9113

Amplifiers 放大器

Low Voltage General Operational Amplifiers (低压通用运算放大器)

Part No.	Channel	Noise@1KHz Typ (nV/√Hz)	Power Supply (V)	GBW (MHz)	Slew Rate (V/μs)	Iq/CH (μA)	Input Bias Current (pA)	Maximum Vos (mV)	Rail To Rail Input/Output	Package
BL321L	1	27	2.1~5.5	1	0.6	40	1	3.5	Y	SOT23-5
BL358L	2	27	2.1~5.5	1	0.6	40	1	3.5	Y	SOP8
BL324L	4	27	2.1~5.5	1	0.6	40	1	3.5	Y	SOP14 TSSOP14

Medium Voltage General Operational Amplifiers (中压通用运算放大器)

Part No.	Channel	CMRR(dB)	Power Supply (V)	GBW (MHz)	PSRR (dB)	Iq/CH (μA)	Input Bias Current (nA)	Maximum Vos (mV)	Rail To Rail Input/Output	Package
BL321	1	90	4.0~25	1	85	430	45	5.0	N	SOT23-5
BL358	2	90	4.0~25	1	85	430	45	5.0	N	SOP8

High Voltage General Operational Amplifiers (高压通用运算放大器)

Part No.	Channel	CMRR(dB)	Power Supply (V)	GBW (MHz)	Slew Rate (V/μs)	Iq/CH (μA)	Input Bias Current (nA)	Vos (mV)	Rail To Rail Input/Output	Package
BL358H	2	70	3.0~36	1	0.2	500	20	5.0	N	SOP8
BL324	4	70	3.0~36	1	0.2	500	20	5.0	N	SOP14

Low Noise Operational Amplifiers (低噪声运算放大器)

Part No.	Channel	Noise@1KHz Typ (nV/√Hz)	Power Supply (V)	GBW (MHz)	Slew Rate (V/μs)	Iq/CH (μA)	Input Bias Current (pA)	Vos (mV) Typ	Rail To Rail Input/Output	Package
BL3701	1	6.5	2.1~5.5	12	11	1100	1	0.2	Y	SOT23-5
BL3702	2	6.5	2.1~5.5	12	11	1100	1	0.2	Y	SOP8 MSOP8
BL3704	4	6.5	2.1~5.5	12	11	1100	1	0.2	Y	SOP14 TSSOP14
BL3711	1	12.5	2.1~5.5	6	4	550	1	0.2	Y	SOT23-5
BL3712	2	12.5	2.1~5.5	6	4	550	1	0.2	Y	SOP8 MSOP8
BL3714	4	12.5	2.1~5.5	6	4	550	1	0.2	Y	SOP14 TSSOP14

Current Sense Amplifier (电流检测放大器)

Part No.	Channel	Vos(μV) Typ	Power Supply (V)	Common Mode Voltage (V)	Slew Rate (V/μs)	Iq (μA) Typ	Ib (μA) Typ	Vos TC (μV/°C) Typ	Gain Drift (ppm/°C, Typ)	Package
BL38199	1	5	2.7~30	-0.3~36	0.6	65	28	0.1	3	SC70-6

Precision Operational Amplifiers (高精度运算放大器)

Part No.	Channel	Noise@1KHz Typ (nV/√Hz)	Power Supply (V)	GBW (MHz)	Slew Rate (V/μs)	Iq/CH (μA)	Input Bias Current (pA)	Maximum Vos (μV)	Rail To Rail Input/Output	Package
BL3891	1	30	1.8~5.5	1.8	0.95	180	20	38	Y	SOT23-5

Nano-Power Operational Amplifiers (纳安级运算放大器)

Part No.	Channel	Power Supply (V)	GBW (KHz)	Slew Rate (V/ms)	Iq/CH (nA)	Input Bias Current (pA)	Maximum Vos (mV)	Rail To Rail Input/Output	Package
BL3601	1	1.4~5.5	10	3	550	1	2	Y	SOT23-5
BL3602	2	1.4~5.5	10	3	550	1	2	Y	SOP8 MSOP8
BL3604	4	1.4~5.5	10	3	550	1	2	Y	SOP14 TSSOP14

Class AB Audio Amplifier (AB 类音频功放电路)

Applications: (1) Mobile phone, (2) PDA and handheld terminal, (3) MP3/MP4 player, (4) Portable DVD, (5) MID, (6) Multimedia Speaker

Part No.	Features	Output	PSRR	VDD	Package	Applications	Reference
BL6281G	Audio Power Amplifier	1.7W	60dB	2.2~5.5V	MSOP8 SOP8	(1) (3) (5)	LM4990
BL8002	Audio Power Amplifier	1.7W	60dB	2.2~5.5V	SOP8	(2) (3) (5) (6)	8002

Class D Audio Amplifier (D 类音频功放电路)

Applications: (1) Digital Photo Frame, (2) GPS/PND, (3) USB Speaker, (4) Portable DVD, (5) TV.

Part No.	Features	Output	PSRR	VDD	Package	Applications	Reference
BL6306	Mono Filter-Free Class D Audio Power Amplifier	2.6 W	75dB	2.5~5.5V	MSOP8 SOP8	(1) (2) (3) (4)	TPA2005

Analog Switch 模拟开关

Part No.	CH	TYP	Features	VDD	Package	Applications	Reference
BL1551B	1	1:2	2.7Ω, 350MHz Bandwidth SPDT Analog Switch	1.8~5.5V	SC70-6	Mobile Phone, Portable Electronic Devices	FSA3157 NLAB3157
BL1555	2	1:2	0.3Ω, 33MHz Bandwidth Dual SPDT Analog Switch	1.65~5.5V	MSOP10 QFN1.8x1.4-10L	Mobile Phone, Portable Electronic Devices	SGM3005 SGM5223
BL1530	2	1:2	High Speed USB 2.0(480Mbps) Analog Switch	2.3~5.0V	TQFN10 MSOP10	Mobile phone, DC and Notebook	SGM7222 FSUSB30
BL1532	2	1:2	High Speed USB 2.0(480Mbps) Analog Switch	2.3~5.0V	TQFN10 MSOP10	Mobile phone, DC and Notebook	SGM7227 FSUSB42
BL1557	2	1:2	3.5Ω, 400MHz Bandwidth, Dual SPDT Analog Switch	1.8~5.5V	QFN1.8x1.4-10L	Mobile Phone, Portable Electronic Devices	SGM4717EP
BL1558	4	1:2	4Ω High Speed Low Voltage Quad SPDT Analog Switch	1.8~5.5V	QFN3x3-16L	Audio & Video Signal Routing, Portable Electronic Devices	
BL1559	4	1:2	3.5Ω High Speed Low Voltage Quad SPDT Analog Switch	1.8~5.5V	QFN3x3-16L	Audio & Video Signal Routing, Portable Electronic Devices	SGM44599
BL1561	1	1:1	3.5Ω Single Bilateral SPST Analog Switch	1.8~5.5V	SC70-5	Wearable Devices, Portable Electronic Devices	SN74LVC1G66
BL1521	1	1:8	8-Channel Analog Multiplexer and Demultiplexer	2.5~5.5V	SOP16	Audio and Video Signal Routing, Medical Instruments, Factory Automation, Sensors	SGM48751
BL1522	2	1:4	Dual 4-Channel Analog Multiplexer/Demultiplexer	2.5~5.5V	SOP16	Audio and Video Signal Routing, Medical Instruments, Factory Automation, Sensors	SGM48752

Drive Circuit 驱动电路

DC Motor Driver (马达驱动)

Part No.	Number of Outputs	VIN	Continuous Current	Peak Current	OTP	OCP	Package	Application	Reference
BL8310	1	2.0~6.8V	1.0A	1.5A	✓	×	SOP8 DFN2x2-8L	三表、电动牙刷	DRV8837C
BL6208	1	2.0~6.8V	1.0A	1.5A	✓	×	SOP8	IR-CUT	BA6208
BL113	1	2.0~6.8V	1.0A	1.5A	✓	×	SOT23-6	三表	SY6712
BL5612	1	3.0~25V	1.5A	4.5A	✓	✓	SOP8	智能断路器	PN7705
BL5616	1	3.0~25V	1.5A	4.5A	✓	✓	SOP8	海外表、单火取电	
BL5617	1	3.0~25V	3.0A	5.0A	✓	✓	SOP8	全自动门锁	
SA8837	1	1.8~12V	1.8A	3.0A	✓	✓	SOP8 DFN2x2-8L	智能三表	DRV8837
SA8870	1	7.0~45V	3.5A	5.0A	✓	✓	ESOP8	扫地机器人	DRV8870
BL1909	2	4.0~22V	1.0A	1.2A	✓	✓	SSOP10	冰箱风门控制阀	1909

Half-bridge Driver (半桥驱动)

Part No.	Voffset (V)	Number of Outputs	VCC (V)	Input Logic	IO+/IO- (A)	Dead Time(ns)	OCP	Enable	Package
BL8202A	250	1	10~20	HIN/LIN	1.0 / 1.5	200	×	×	SOP8
BL8203A	250	1	10~20	HIN/LINB	1.0 / 1.5	200	×	×	SOP8
BL2601A	600	1	10~20	HIN/LIN	0.3 / 0.6	50	×	×	SOP8
BL2113	600	1	10~20	HIN/LIN	2.5 / 2.5	×	×	✓	SOIC16

MOS Driver (MOS 驱动)

Part No.	VCC MAX (V)	Number of Outputs	VCC (V)	IO+/IO- (A)	Input Logic	Package
SA2530	32	1	5.0~25	1.0 / 1.5	IN	SOT23-5
SA2531	32	1	5.0~25	1.0 / 1.5	EN/IN	SOT23-5
SA2532	32	2	5.0~25	1.0 / 1.5	INA/INB	SOP8 DFN2x2-8L

Darlington Transistor Arrays (达林顿驱动)

Part No.	Drivers Per Package	Output Current (Max.)	Output Voltage (Max.)	Package	Application
ULN2003	7	500mA	50V	SOP16	小家电, 安防, 步进马达
ULN2003G	7	500mA	50V	SOP16	小家电, 安防, 步进马达
ULN2803	8	500mA	50V	SOP18 QFN20(4x4)	小家电, 安防, 步进马达
ULN2803L	8	500mA	7V	CPC20	安防

Smoke Detector (烟雾检测电路)

Part No.	Features	Hush	Output Signal	Standby Current	UL Certified	Package
BL5910	Photoelectric Type With I/O	N/A	Continuous Alarm	10μA	Pass	DIP16 SOP16
BL5912	Photoelectric Type With I/O	N/A	Temporal Alarm	10μA	Pass	DIP16 SOP16

Real Time Clock (低功耗实时时钟)

Part No.	Alarm Sets	Periodic INT	Standby	CLK/INT Output	Clock Adj.	I/O	Clock VDD	Work VDD	Package	Reference
BL5372	2	2Hz to 1 Month	400nA@3.6V	Open Drain	Yes	Two-wire Serial	1.8~5.5V	1.8~5.5V	SOP8 TSSOP8	5C372
BLX8563	1Signal/4 Source	484μS to 1 Week	600nA@3.3V	Open Drain	No	I ² C	1.1~5.5V	1.1~5.5V	SOP8 TSSOP8 MSOP8 UDFN8	8563
BLX85063	1Signal/5 Source	484μS to 1 Week	600nA@3.3V	Open Drain	Yes	I ² C	1.1~5.5V	1.1~5.5V	SOP8 TSSOP8 MSOP8 UDFN8 DFN25x25-10L	85063

EEPROM 存储芯片

Part No.	Capacity	Interface	VDD	Package	Reference
BL24C02A	2K bits	Two-wire Serial	1.7~5.5V	DIP8 SOP8 TSSOP8 UDFN8 TSOT23-5 SOT23-5	24C02
BL24C02F	2K bits	Two-wire Serial	1.7~5.5V	DIP8 SOP8 TSSOP8 UDFN8 TSOT23-5 SOT23-5	24C02
BL24C02H	2K bits	Two-wire Serial	1.7~5.5V	DIP8 SOP8 TSSOP8 UDFN8 TSOT23-5 SOT23-5	24C02
BL24C04A	4K bits	Two-wire Serial	1.7~5.5V	DIP8 SOP8 TSSOP8 UDFN8 TSOT23-5 SOT23-5	24C04
BL24C04F	4K bits	Two-wire Serial	1.7~5.5V	DIP8 SOP8 TSSOP8 UDFN8 TSOT23-5 SOT23-5	24C04
BL24C08A	8K bits	Two-wire Serial	1.7~5.5V	DIP8 SOP8 TSSOP8 UDFN8 TSOT23-5 SOT23-5	24C08
BL24C08F	8K bits	Two-wire Serial	1.7~5.5V	DIP8 SOP8 TSSOP8 UDFN8 TSOT23-5 SOT23-5	24C08
BL24C16A	16K bits	Two-wire Serial	1.7~5.5V	DIP8 SOP8 TSSOP8 UDFN8 TSOT23-5 SOT23-5	24C16
BL24C16F	16K bits	Two-wire Serial	1.7~5.5V	DIP8 SOP8 TSSOP8 UDFN8 TSOT23-5 SOT23-5	24C16
BL24C32A	32K bits	Two-wire Serial	1.7~5.5V	DIP8 SOP8 TSSOP8 UDFN8 TSOT23-5 SOT23-5	24C32
BL24C32F	32K bits	Two-wire Serial	1.7~5.5V	DIP8 SOP8 TSSOP8 UDFN8 TSOT23-5 SOT23-5	24C32
BL24C64A	64K bits	Two-wire Serial	1.7~5.5V	DIP8 SOP8 TSSOP8 UDFN8 TSOT23-5 SOT23-5 WLCSP4	24C64
BL24C64F	64K bits	Two-wire Serial	1.7~5.5V	DIP8 SOP8 TSSOP8 UDFN8 TSOT23-5 SOT23-5	24C64
BL24C128A	128K bits	Two-wire Serial	1.7~5.5V	DIP8 SOP8 TSSOP8 UDFN8 WLCSP4	24C128
BL24C128F	128K bits	Two-wire Serial	1.7~5.5V	DIP8 SOP8 TSSOP8 UDFN8 TSOT23-5 SOT23-5	24C128
BL24C256A	256K bits	Two-wire Serial	1.7~5.5V	DIP8 SOP8 TSSOP8 UDFN8 TSOT23-5 SOT23-5	24C256
BL24C256F	256K bits	Two-wire Serial	1.7~5.5V	DIP8 SOP8 TSSOP8 UDFN8 TSOT23-5 SOT23-5	24C256
BL24C512A	512K bits	Two-wire Serial	1.7~5.5V	DIP8 SOP8 TSSOP8 UDFN8	24C512
BL24C512B	512K bits	Two-wire Serial	1.7~5.5V	DIP8 SOP8 TSSOP8 UDFN8 TSOT23-5 SOT23-5	24C512
BL24CM1A	1024K bits	Two-wire Serial	2.0~5.5V	DIP8 SOP8 TSSOP8 UDFN8	24C1024
BL24CM2A	2048K bits	Two-wire Serial	2.8~5.5V	DIP8 SOP8 WLCSP8	24C2048
BL24CS32	32K bits	Two-wire Serial	1.7~5.5V	DIP8 SOP8 TSSOP8 UDFN8 WLCSP4	24CS32
BL24SA64	64K bits	Two-wire Serial	1.7~5.5V	WLCSP4	24SA64
BL24SA64B	64K bits	Two-wire Serial	1.7~5.5V	WLCSP4	24SA64
BL24SA64C	64K bits	Two-wire Serial	1.7~5.5V	WLCSP4	24SA64
BL24SA64D	64K bits	Two-wire Serial	1.7~5.5V	WLCSP4	24SA64
BL24SA128B	128K bits	Two-wire Serial	1.7~3.6V	WLCSP4	24SA128
BL24SA128D	128K bits	Two-wire Serial	1.7~3.6V	WLCSP4	24SA128

EEPROM 存储芯片

Part No.	Capacity	Interface	VDD	Package	Reference
BL24SA256B	256K bits	Two-wire Serial	1.7~3.6V	WLCSP4	24SA256
BL25CM1A	1024K bits	Serial Peripheral Interface	2.8~5.5V	DIP8 SOP8 WLCSP8	25CM1
BL25CM2A	2048K bits	Serial Peripheral Interface	2.8~5.5V	DIP8 SOP8 WLCSP8	25CM2
BL34C02A	2K bits DDR4 SPD	Two-wire Serial	1.7~3.6V	TSSOP8 UDFN8	34C02
BL34C04A	4K bits DDR4 SPD	Two-wire Serial	1.7~3.6V	UDFN8	34C04
BL34TS04A	4K bits + Temperature Sensor DDR4 SPD	Two-wire Serial	1.7~3.6V	UDFN8	34TS04
BL5118	8K bits + Temperature Sensor DDR5 SPD	Two-wire Serial	1.7~1.98V	UDFN8	5118
BL25C02A	2K bits	Serial Peripheral Interface	1.7~5.5V	SOP8 TSSOP8 UDFN8	25C02
BL25C04A	4K bits	Serial Peripheral Interface	1.7~5.5V	SOP8 TSSOP8 UDFN8	25C04
BL25C08A	8K bits	Serial Peripheral Interface	1.7~5.5V	SOP8 TSSOP8 UDFN8	25C08
BL25C16A	16K bits	Serial Peripheral Interface	1.7~5.5V	SOP8 TSSOP8 UDFN8	25C16
BL25C32A	32K bits	Serial Peripheral Interface	1.7~5.5V	SOP8 TSSOP8 UDFN8	25C32
BL25C64A	64K bits	Serial Peripheral Interface	1.7~5.5V	SOP8 TSSOP8 UDFN8	25C64
BL25C128A	128K bits	Serial Peripheral Interface	1.7~5.5V	SOP8 TSSOP8 UDFN8	25C128
BL25C256A	256K bits	Serial Peripheral Interface	1.7~5.5V	SOP8 TSSOP8 UDFN8	25C256
BL93C46A	1K bits	Microwire	1.7~5.5V	SOP8 TSSOP8 UDFN8	93C46
BL93C56A	2K bits	Microwire	1.7~5.5V	SOP8 TSSOP8 UDFN8	93C56
BL93C66A	4K bits	Microwire	1.7~5.5V	SOP8 TSSOP8 UDFN8	93C66
BL93C76A	8K bits	Microwire	1.7~5.5V	SOP8 TSSOP8 UDFN8	93C76
BL93C86A	16K bits	Microwire	1.7~5.5V	SOP8 TSSOP8 UDFN8	93C86
BL24SA64H	64K bits	Two-wire Serial	1.2~5.5V	WLCSP4	24SA64
BL24SA128H	128K bits	Two-wire Serial	1.2~5.5V	WLCSP4	24SA128
BL2022	1K bits	One-wire	2.65~5.5V	SOT23 TO92	2022
BL2024	1.5K bits	One-wire	2.65~5.5V	SOT23 TO92	2024
BL2026	1.5K bits	One-wire	2.65~5.5V	SOT23 TO92	2026
BL2026E	1.5K bits	One-wire	2.65~5.5V	SOT23 TO92	2026

Nor Flash 存储芯片

Part No.	Capacity	Interface	VDD	Package	Reference
BL25WQ05A	512K bits	Serial Peripheral Interface	1.7~3.6V	SOP (150/208mil) USON (3×2)	25WQ05
BL25WQ10A	1M bits	Serial Peripheral Interface	1.7~3.6V	SOP (150/208mil) USON (3×2)	25WQ10
BL25WQ20A	2M bits	Serial Peripheral Interface	1.7~3.6V	SOP (150/208mil) USON (3×2)	25WQ20
BL25WQ40A	4M bits	Serial Peripheral Interface	1.7~3.6V	SOP (150/208mil) USON (3×2)	25WQ40

Voltage References 电压基准源

Part No.	Features	Output	Input	Temp Range	Temperature Drift	Initial Accuracy	Noise	Package
BLR120	High Precision Voltage Reference	2.048V	12V Max.	-40°C ~125°C	5ppm Typical 10ppm Max.	0.05%	16μVpp	SOIC8
BLR125	High Precision Voltage Reference	2.5V	12V Max.	-40°C ~125°C	5ppm Typical 10ppm Max.	0.05%	20μVpp	SOIC8
BLR133	High Precision Voltage Reference	3.3V	12V Max.	-40°C ~125°C	5ppm Typical 10ppm Max.	0.05%	24μVpp	SOIC8
BLR140	High Precision Voltage Reference	4.096V	12V Max.	-40°C ~125°C	5ppm Typical 10ppm Max.	0.05%	30μVpp	SOIC8
BLR150	High Precision Voltage Reference	5.0V	12V Max.	-40°C ~125°C	5ppm Typical 10ppm Max.	0.05%	37μVpp	SOIC8
BLR220	High Precision Voltage Reference	2.048V	5.5V Max.	-40°C ~125°C	3ppm Typical 8ppm Max.	0.02%	16μVpp	SOIC8
BLR225	High Precision Voltage Reference	2.5V	5.5V Max.	-40°C ~125°C	3ppm Typical 8ppm Max.	0.02%	18μVpp	SOIC8
BLR230	High Precision Voltage Reference	3.0V	5.5V Max.	-40°C ~125°C	3ppm Typical 8ppm Max.	0.02%	22μVpp	SOIC8
BLR233	High Precision Voltage Reference	3.3V	5.5V Max.	-40°C ~125°C	3ppm Typical 8ppm Max.	0.02%	25μVpp	SOIC8
BLR240	High Precision Voltage Reference	4.096V	5.5V Max.	-40°C ~125°C	3ppm Typical 8ppm Max.	0.02%	29μVpp	SOIC8
BLR250	High Precision Voltage Reference	5.0V	5.5V Max.	-40°C ~125°C	3ppm Typical 8ppm Max.	0.02%	35μVpp	SOIC8
BLR312	High Precision Voltage Reference	1.25V	5.5V Max	-40°C ~125°C	35ppm Typical 75ppm Max	0.2%	14μVpp	SOT23
BLR320	High Precision Voltage Reference	2.048V	5.5V Max	-40°C ~125°C	35ppm Typical 75ppm Max	0.2%	16μVpp	SOT23
BLR325	High Precision Voltage Reference	2.5V	5.5V Max	-40°C ~125°C	35ppm Typical 75ppm Max	0.2%	24μVpp	SOT23
BLR330	High Precision Voltage Reference	3.0V	5.5V Max	-40°C ~125°C	35ppm Typical 75ppm Max	0.2%	28μVpp	SOT23
BLR333	High Precision Voltage Reference	3.3V	5.5V Max	-40°C ~125°C	35ppm Typical 75ppm Max	0.2%	32μVpp	SOT23
BLR340	High Precision Voltage Reference	4.096V	5.5V Max	-40°C ~125°C	35ppm Typical 75ppm Max	0.2%	40μVpp	SOT23
BLR350	High Precision Voltage Reference	5.0V	5.5V Max	-40°C ~125°C	35ppm Typical 75ppm Max	0.2%	50μVpp	SOT23

ADC/DAC 数据转换器

Part No.	Features	SNR	SFDR	Power	Interface	Package
BLAD16D80	16-bit 80 MS/s 1.8V Dual Channel ADC	77.5dBFS @10MHz input 65.3dBFS @300MHz input	90.0dB @10MHz input 78.0dB @300MHz input	477mW	CMOS/LVDS	QFN64
BLAD16D125	16-bit 125 MS/s 1.8V Dual Channel ADC	77.5dBFS @10MHz input 66.0dBFS @300MHz input	90.0dB @10MHz input 76.0dB @300MHz input	796mW	CMOS/LVDS	QFN64
BLAD14Q80	14-bit 80 MS/s 1.8V Quad Channel ADC	72.6dBFS @10MHz input 68.5dBFS @200MHz input	85.5dBFS @10MHz input 70.5dBFS @200MHz input	525mW	Serial-LVDS	QFN48
BLAD14Q125	14-bit 125 MS/s 1.8V Quad Channel ADC	72.3dBFS @10MHz input 68.0dBFS @305MHz input	85.0dB @10MHz input 70.0dB @305MHz input	600mW	Serial-LVDS	QFN48
BLAD16Q125	16-bit 125 MS/s 1.8V Quad Channel ADC	78.6dBFS @10MHz input 72.8dBFS @305MHz input	90.0dB @10MHz input 75.0dB @305MHz input	620mW	Serial-LVDS	QFN48
BLAD16Q80	16-bit 80MS/s 1.8V Quad Channel ADC	78.6dBFS @10MHz input 72.8dBFS @305MHz input	90.0dB @10MHz input 75.0dB @305MHz input	531mW	Serial-LVDS	QFN48
BL1040	14-bit 80 MS/s 1.8V Dual Channel ADC	76.5dBFS @10MHz input 70.4dBFS @200MHz input	88.0dB @10MHz input 79.6dB @200MHz input	477mW	CMOS/LVDS	QFN64
BL1063	16-bit 125 MS/s 1.8V Quad Channel ADC	81.1dBFS @10MHz input 72.9dBFS @305MHz input	81.1dBFS @10MHz input 72.9dBFS @305MHz input	832mW	JESD204B	QFN56
BL1064	16-bit 80 MS/s 1.8V/3.3V Dual ADC	76.6dBFS @10MHz input 72.5dBFS @200MHz input	85.5dBFS @10MHz input 79.5dBFS @200MHz input	525mW	CMOS	QFN64
BL1045	8 Channel 14-bit 125 MS/s 1.8V ADC	72.6dBFS @10MHz input 68.8dBFS @305MHz input	85.0dB @10MHz input 70.0dB @305MHz input	1.25W	Serial-LVDS	BGA196
BL1065	8 Channel 16-bit 125 MS/s 1.8V ADC	78.6dBFS @10MHz input 72.8dBFS @305MHz input	90.0dB @10MHz input 75.0dB @305MHz input	1.25W	Serial-LVDS	BGA196
BL1047	4 Channel 14bit 500 MS/s ADC	65.3dBFS @70.3MHZ input 65.1dBFS @305MHZ input	82.9dBFS @70.3MHZ input 84.3dBFS @305MHZ input	1.52W	JESD204B	QFN72
BL1081	8 Channel 16-bit 100KS/s Simultaneous Sampling Data Acquisition System	88.0dBFS @1KHz input	105dBFS @1KHz input	150mW	SPI/Parallel	LQFP64
BL1082	8 Channel 16-bit 200KS/s Simultaneous Sampling Data Acquisition System	87.0dBFS @1KHz input	105dBFS @1KHz input	165mW	SPI/Parallel	LQFP64
BL1083	8 Channel 16-bit 200KS/s Simultaneous Sampling Data Acquisition System, CRC	87.0dBFS @1KHz input	105dBFS @1KHz input	165mW	SPI/Parallel	LQFP64
BL1086	4 Channel 16-bit 320KS/s Simultaneous Sampling Data Acquisition System	87.0dBFS @1KHz input	105dBFS @1KHz input	128mW	SPI/Parallel	LQFP64
BL1087	8 Channel 16-bit 500KS/s Data Acquisition System	87.0dBFS @1KHz input	103dBFS @1KHz input	90mW	SPI	TSSOP38
BL1088	16 Channel 16-bit 1MS/s Simultaneous Sampling Data Acquisition System	88.0dBFS @1KHz input	103dBFS @1KHz input	300mW	SPI/ Parallel With CRC	LQFP80
BL1070	16-bit 2MS/s SAR ADC	93.3dBFS @1KHz input	111dBFS @1KHz input	30mW	SPI/Parallel	QFN48
BL1080	18-bit 2MS/s SAR ADC	95.0dBFS @1KHz input	110dBFS @1KHz input	30mW	SPI/Parallel	QFN48
BL1090	4 Channel 16-bit 860sps Delta-Sigma ADC	-	-	1.25mW	SPI/I ² C	MSOP10
BL1022	12-bit 1Msps 16 Channel ADC	71.7dBFS @100KHz input	84dBFS @100KHz input	14.5mW	SPI	TSSOP38
BL1031	2 Channel 16-bit 250MS/s DAC	-160dBm/Hz NSD	80dBc @20MHz output	400mW	CMOS	QFN72
BL1032	16-bit, Voltage Output DAC, R String With Unipolar/Bipolar Operation	85dBFS @1KHz input	86dBFS @1KHz input	0.6mW	SPI	QFN14 SOP14 SOP8
BL1033	16-bit, Voltage Output DAC, R String	84dBFS @1KHz input	86dBFS @1KHz input	0.6mW	SPI	VSSOP8

MOSFET 金属氧化物半导体场效应晶体管

Shielded Gate Trench MOSFET (屏蔽栅沟槽场效应晶体管)

Part No.	BV(V)	I _D (A)	R _{DS(ON)} (mΩ)@V _{GS} = 10V		R _{DS(ON)} (mΩ)@V _{GS} = 4.5V		V _{TH} (V)			Package
			Typ.	Max.	Typ.	Max.	Min.	Typ.	Max.	
BLP01N04LC-Q	40	315	0.75	1.0	-	-	1.0	1.7	2.5	PDFN5×6 (CLIP)
BLP016N04LC-Q	40	195	1.25	1.6	-	-	1.0	1.8	2.5	PDFN5×6 (CLIP)
BLP02N04L-Q	40	181	1.65	2.0	-	-	1.0	1.75	2.5	PDFN5×6
BLP02N06-D	60	60	2.3	2.5	-	-	2.0	3.0	4.0	TO252
BLP02N06-P	60	120	2.0	2.3	-	-	2.0	3.0	4.0	TO220
BLP02N06-B	60	120	2.0	2.3	-	-	2.0	3.0	4.0	TO263
BLP02N06-Q	60	80	2.1	2.3	-	-	2.0	3.0	4.0	PDFN5×6
BLP02N06L-D	60	60	2.2	2.5	2.7	3.6	1.0	1.8	2.5	TO252
BLP02N06L-Q	60	80	2.0	2.3	2.5	3.5	1.0	1.8	2.5	PDFN5×6
BLP032N06-Q	60	146	2.8	3.2	-	-	2.0	3.0	4.0	PDFN5×6
BLP032N06-D	60	144	2.9	3.2	-	-	2.0	3.0	4.0	TO252
BLP03N06L-D	60	151	2.8	3.0	3.4	4.0	0.8	1.5	1.8	TO252
BLP03N06L-Q	60	155	2.6	3.0	3.2	4.0	0.8	1.5	1.8	PDFN5×6
BLP05N07-P	70	115	4.2	5.0	-	-	2.0	3.0	4.0	TO220
BLP05N07-B	70	115	4.2	5.0	-	-	2.0	3.0	4.0	TO263
BLP05N07-D	70	110	4.3	5.0	-	-	2.0	3.0	4.0	TO252
BLP14N08L-D	80	37	12.5	15	17.8	22.5	1.0	1.8	2.5	TO252
BLP14N08L-Q	80	35	13.8	16.5	19	24	1.0	1.8	2.5	PDFN5×6
BLP07N08-P	80	76	6.0	7.0	-	-	2.0	3.0	4.0	TO220
BLP07N08-B	80	76	6.0	7.0	-	-	2.0	3.0	4.0	TO263
BLP07N08-D	80	72	6.0	7.0	-	-	2.0	3.0	4.0	TO252
BLP06N08G-P	80	80	5.0	6.0	-	-	2.0	3.0	4.0	TO220
BLP06N08G-B	80	80	5.0	6.0	-	-	2.0	3.0	4.0	TO263
BLP039N08-Q	80	116	3.6	3.9	-	-	2.0	3.0	4.0	PDFN5×6
BLP039N08-D	80	113	3.9	4.5	-	-	2.0	3.0	4.0	TO252
BLP039N08-P	80	146	3.9	4.5	-	-	2.0	3.0	4.0	TO220
BLP039N08-B	80	146	3.9	4.5	-	-	2.0	3.0	4.0	TO263
BLP036N08-Q	80	155	3.2	3.6	-	-	2.0	3.0	4.0	PDFN5×6
BLP036N08-D	80	151	3.5	4.0	-	-	2.0	3.0	4.0	TO252
BLP036N08-P	80	172	3.2	3.6	-	-	2.0	3.0	4.0	TO220

Shielded Gate Trench MOSFET (屏蔽栅沟槽场效应晶体管)

Part No.	BV(V)	I _D (A)	R _{DS(ON)} (mΩ)@V _{GS} = 10V		R _{DS(ON)} (mΩ)@V _{GS} = 4.5V		V _{TH} (V)			Package
			Typ.	Max.	Typ.	Max.	Min.	Typ.	Max.	
BLP036N08-B	80	172	3.2	3.6	-	-	2.0	3.0	4.0	TO263
BLP026N08-P	80	237	2.1	2.6	-	-	2.0	3.0	4.0	TO220
BLP026N08-B	80	237	2.1	2.6	-	-	2.0	3.0	4.0	TO263
BLP022N08-T	80	251	1.7	2.2	-	-	2.0	3.0	4.0	TOLL8
BLP021N08-B	80	295	1.7	2.1	-	-	2.0	3.0	4.0	TO263
BLP021N08-P	80	295	1.7	2.1	-	-	2.0	3.0	4.0	TO220
BLP014N08-T	80	312	1.4	1.7	-	-	2.0	3.0	4.0	TOLL8
BLP012N08-T	80	413	1.1	1.4	-	-	2.0	3.0	4.0	TOLL8
BLP01N08-T	80	449	1.0	1.2	-	-	2.0	3.0	4.0	TOLL8
BLP065N08G-Q	85	102	5.8	6.5	-	-	2.0	3.0	4.0	PDFN5×6
BLP065N08G-D	85	105	5.4	6.5	-	-	2.0	3.0	4.0	TO252
BLQP065N08G-D	85	102	5.8	6.5	-	-	2.0	3.0	4.0	TO252
BLP065N08G-P	85	118	5.4	6.5	-	-	2.0	3.0	4.0	TO220
BLP065N08G-B	85	118	5.4	6.5	-	-	2.0	3.0	4.0	TO263
BLP065N08GL-Q	85	109	5.2	6.0	7.5	8.5	1.0	1.8	2.5	PDFN5×6
BLP065N08GL-D	85	116	4.7	5.5	6.3	7.5	1.0	1.8	2.5	TO252
BLP065N08GL-E	85	30	5.2	6.0	7.5	8.5	1.0	1.8	2.5	SOP8
BLP05N08G-Q	85	105	4.5	5.0	-	-	2.0	3.0	4.0	PDFN5×6
BLP05N08G-P	85	138	4.4	5.0	-	-	2.0	3.0	4.0	TO220
BLP05N08G-B	85	138	4.4	5.0	-	-	2.0	3.0	4.0	TO263
BLP04N08-P	85	185	3.0	3.6	-	-	2.0	3.0	4.0	TO220
BLP04N08-B	85	185	3.0	3.6	-	-	2.0	3.0	4.0	TO263
BLP04N08-BA	85	185	3.0	3.6	-	-	2.0	3.0	4.0	TO263-7
BLP032N08-T	85	200	2.6	3.2	-	-	2.0	3.0	4.0	TOLL8
BLP03N08-P	85	230	2.3	3.0	-	-	2.0	3.0	4.0	TO220
BLP03N08-B	85	230	2.3	3.0	-	-	2.0	3.0	4.0	TO263
BLP03N08-BA	85	253	1.9	2.5	-	-	2.0	3.0	4.0	TOLL8
BLP03N08-T	85	253	1.9	2.5	-	-	2.0	3.0	4.0	TO263-7
BLP03N08-F	85	275	2.3	3.0	-	-	2.0	3.0	4.0	TO247
BLP02N08-P	85	326	1.6	2.0	-	-	2.0	3.0	4.0	TO220

Shielded Gate Trench MOSFET (屏蔽栅沟槽场效应晶体管)

Part No.	BV(V)	I _D (A)	R _{DS(ON)} (mΩ)@V _{GS} = 10V		R _{DS(ON)} (mΩ)@V _{GS} = 4.5V		V _{TH} (V)			Package
			Typ.	Max.	Typ.	Max.	Min.	Typ.	Max.	
BLP02N08-B	85	326	1.6	2.0	-	-	2.0	3.0	4.0	TO263
BLP02N08-F	85	349	1.6	2.0	-	-	2.0	3.0	4.0	TO247
BLP02N08-BA	85	349	1.4	1.8	-	-	2.0	3.0	4.0	TO263-7
BLP02N08-T	85	371	1.2	1.5	-	-	2.0	3.0	4.0	TOLL8
BLP055N09G-P	90	131	5.0	5.5	-	-	2.0	3.0	4.0	TO220 TO263
BLP160N10L-Q	100	4.0	135	160	-	-	1.0	1.8	2.5	PDFN5×6
BLP160N10L-S	100	4.0	135	160	-	-	1.0	1.8	2.5	SOT89
BLP160N10L-N	100	3.0	135	160	-	-	1.0	1.8	2.5	SOT223
BLP20N10L-D	100	30	16	20	25	28	1.0	1.8	2.5	TO252
BLP20N10L-Q	100	30	17	20	25	28	1.0	1.8	2.5	PDFN5×6
BLP20N10L-E	100	8.7	16.5	20	25	28	1.0	1.8	2.5	SOP8
BLP13N10L-D	100	37.5	12	13	-	-	1.0	1.8	2.5	TO252
BLP13N10L-Q	100	37.5	12	13	-	-	1.0	1.8	2.5	PDFN5×6
BLP13N10L-R	100	34	12.5	15	-	-	1.0	1.8	2.5	DFN3.3×3.3
BLP12N10G-D	100	49	10.5	12	-	-	2.0	3.0	4.0	TO252
BLP12N10G-Q	100	49	10.5	12	-	-	2.0	3.0	4.0	PDFN5×6
BLP12N10G-E	100	11	10.5	12	-	-	2.0	3.0	4.0	SOP8
BLP12N10G-P	100	55	10.5	12	-	-	2.0	3.0	4.0	TO220
BLP12N10G-A	100	35	10.5	12	-	-	2.0	3.0	4.0	TO220F
BLP12N10GL-D	100	56	9.5	12	15	18	1.0	1.8	2.5	TO252
BLP12N10GL-Q	100	56	10	12	15	18	1.0	1.8	2.5	PDFN5×6
BLP12N10GL-E	100	15	10	12	15.5	18	1.0	1.8	2.5	SOP8
BLP11N10L-D	100	48	10	11	-	-	1.0	1.8	2.5	TO252
BLP11N10L-Q	100	48	10	11	-	-	1.0	1.8	2.5	PDFN5×6
BLP08N10G-D	100	66	7.5	8.0	-	-	2.0	3.0	4.0	TO252
BLP08N10G-Q	100	66	7.5	8.0	-	-	2.0	3.0	4.0	PDFN5×6
BLP08N10G-P	100	71	7.5	8.0	-	-	2.0	3.0	4.0	TO220
BLP075N10G-D	100	86	6.3	7.5	-	-	2.0	3.0	4.0	TO252
BLP075N10G-Q	100	86	6.3	7.5	-	-	2.0	3.0	4.0	PDFN5×6
BLP075N10G-P	100	95	6.3	7.5	-	-	2.0	3.0	4.0	TO220

Shielded Gate Trench MOSFET (屏蔽栅沟槽场效应晶体管)

Part No.	BV(V)	I _D (A)	R _{DS(ON)} (mΩ)@V _{GS} = 10V		R _{DS(ON)} (mΩ)@V _{GS} = 4.5V		V _{TH} (V)			Package
			Typ.	Max.	Typ.	Max.	Min.	Typ.	Max.	
BLP075N10G-B	100	95	6.3	7.5	-	-	2.0	3.0	4.0	TO263
BLP075N10GL-D	100	68	7.0	7.5	10	12	1.0	1.8	2.5	TO252
BLP075N10GL-Q	100	68	7.0	7.5	10	12	1.0	1.8	2.5	PDFN5×6
BLP065N10GL-D	100	87	6.0	6.5	8.2	9.5	1.0	1.8	2.5	TO252
BLP065N10GL-Q	100	87	6.0	6.5	8.2	9.5	1.0	1.8	2.5	PDFN5×6
BLP065N10GL-P	100	96	6.0	6.5	8.2	9.5	1.0	1.8	2.5	TO220
BLP055N10-P	100	127	4.8	5.5	-	-	2.0	3.0	4.0	TO220
BLP055N10-B	100	127	4.8	5.5	-	-	2.0	3.0	4.0	TO263
BLP055N10-Q	100	98	4.8	5.5	-	-	2.0	3.0	4.0	PDFN5×6
BLP055N10G2P-P	100	128	4.5	5.5	-	-	2.0	3.0	4.0	TO220
BLP055N10G2P-B	100	128	4.5	5.5	-	-	2.0	3.0	4.0	TO263
BLP045N10-P	100	170	3.6	4.5	-	-	2.0	3.0	4.0	TO220
BLP045N10-B	100	170	3.6	4.5	-	-	2.0	3.0	4.0	TO263
BLP042N10G-D	100	60	3.7	4.2	-	-	2.0	3.0	4.0	TO252
BLP042N10G-Q	100	60	3.7	4.2	-	-	2.0	3.0	4.0	PDFN5×6
BLP042N10G-P	100	120	3.7	4.2	-	-	2.0	3.0	4.0	TO220
BLP042N10G-B	100	120	3.7	4.2	-	-	2.0	3.0	4.0	TO263
BLP04N10-P	100	172	3.3	4.0	-	-	2.0	3.0	4.0	TO220
BLP04N10-B	100	172	3.3	4.0	-	-	2.0	3.0	4.0	TO263
BLP038N10GL-D	100	154	3.3	3.8	4.5	6.0	1.0	1.8	2.5	TO252
BLP038N10GL-Q	100	154	3.3	3.8	4.5	6.0	1.0	1.8	2.5	PDFN5×6
BLP038N10GL-P	100	171	3.3	3.8	4.5	6.0	1.0	1.8	2.5	TO220
BLP036N10-P	100	179	3.0	3.6	-	-	2.0	3.0	4.0	TO220
BLP036N10-B	100	179	3.0	3.6	-	-	2.0	3.0	4.0	TO263
BLP032N10-T	100	184	2.6	3.2	-	-	2.0	3.0	4.0	TOLL8
BLP03N10-P	100	200	2.7	3.0	-	-	2.0	3.0	4.0	TO220
BLP03N10-B	100	200	2.7	3.0	-	-	2.0	3.0	4.0	TO263
BLP03N10-T	100	216	2.3	3.0	-	-	2.0	3.0	4.0	TOLL8
BLP03N10-BA	100	216	2.3	3.0	-	-	2.0	3.0	4.0	TO263-7
BLP03N10-F	100	239	2.7	3.0	-	-	2.0	3.0	4.0	TO247

Shielded Gate Trench MOSFET (屏蔽栅沟槽场效应晶体管)

Part No.	BV(V)	I _D (A)	R _{DS(ON)} (mΩ)@V _{GS} = 10V		R _{DS(ON)} (mΩ)@V _{GS} = 4.5V		V _{TH} (V)			Package
			Typ.	Max.	Typ.	Max.	Min.	Typ.	Max.	
BLP028N10-P	100	213	2.4	2.8	-	-	2.0	3.0	4.0	TO220
BLP028N10-B	100	213	2.4	2.8	-	-	2.0	3.0	4.0	TO263
BLP024N10-T	100	223	2.0	2.4	-	-	2.0	3.0	4.0	TOLL8
BLP024N10-BA	100	223	2.0	2.4	-	-	2.0	3.0	4.0	TO263-7
BLP025N10-P	100	261	2.0	2.5	-	-	2.0	3.0	4.0	TO220
BLP025N10-B	100	261	2.0	2.5	-	-	2.0	3.0	4.0	TO263
BLP021N10-T	100	256	1.6	2.1	-	-	2.0	3.0	4.0	TOLL8
BLP022N10-BA	100	292	1.6	2.2	-	-	2.0	3.0	4.0	TO263-7
BLP023N10-P	100	305	1.8	2.3	-	-	2.0	3.0	4.0	TO220
BLP023N10-B	100	305	1.8	2.3	-	-	2.0	3.0	4.0	TO263
BLP023N10-BA	100	320	1.6	2.0	-	-	2.0	3.0	4.0	TO263-7
BLP023N10-F	100	364	1.8	2.3	-	-	2.0	3.0	4.0	TO247
BLP023N10-T	100	326	1.4	1.8	-	-	2.0	3.0	4.0	TOLL8
BLP014N10-T	100	401	1.25	1.4	-	-	2.0	3.0	4.0	TOLL8
BLP07N11L-Q	110	102	6.0	7.0	8.5	11	1.0	1.8	2.5	PDFN5×6
BLP04N11-P	110	182	3.2	3.8	-	-	2.0	3.0	4.0	TO220
BLP04N11-B	110	182	3.2	3.8	-	-	2.0	3.0	4.0	TO263
BLP036N11-T	110	187	2.9	3.6	-	-	2.0	3.0	4.0	TOLL8
BLP027N11-T	110	234	2.2	2.7	-	-	2.0	3.0	4.0	TOLL8
BLP02N11-T	110	341	1.3	1.7	-	-	2.0	3.0	4.0	TOLL8
BLP032N14-T	135	296	2.6	3.2	-	-	2.0	3.0	4.0	TOLL8
BLP036N14-P	135	285	3.0	3.6	-	-	2.0	3.0	4.0	TO220
BLP036N14-B	135	285	3.0	3.6	-	-	2.0	3.0	4.0	TO263
BLP10N15J-P	150	88	8.7	10	-	-	2.0	3.0	4.0	TO220
BLP10N15J-B	150	88	8.7	10	-	-	2.0	3.0	4.0	TO263
BLP10N15-B	150	87	9.0	10	-	-	2.0	3.0	4.0	TO263
BLP10N15-P	150	87	9.0	10	-	-	2.0	3.0	4.0	TO220
BLP05N15-P	150	173	3.8	5.0	-	-	2.0	3.0	4.0	TO220
BLP05N15-B	150	173	3.8	5.0	-	-	2.0	3.0	4.0	TO263
BLP042N15J-P	150	210	3.6	4.2	-	-	2.0	3.0	4.0	TO220

Shielded Gate Trench MOSFET (屏蔽栅沟槽场效应晶体管)

Part No.	BV(V)	I _D (A)	R _{DS(ON)} (mΩ)@V _{GS} = 10V		R _{DS(ON)} (mΩ)@V _{GS} = 4.5V		V _{TH} (V)			Package
			Typ.	Max.	Typ.	Max.	Min.	Typ.	Max.	
BLP042N15J-B	150	210	3.6	4.2	-	-	2.0	3.0	4.0	TO263
BLP042N15J-F	150	252	3.6	4.2	-	-	2.0	3.0	4.0	TO247
BLP038N15-T	150	254	2.9	3.8	-	-	2.0	3.0	4.0	TOLL8
BLP038N15-B	150	239	3.3	3.8	-	-	2.0	3.0	4.0	TO263
BLP038N15-BA	150	254	2.9	3.8	-	-	2.0	3.0	4.0	TO263-7
BLP038N15-P	150	239	3.3	3.8	-	-	2.0	3.0	4.0	TO220
BLP10N20-P	200	163	7.3	10	-	-	2.0	3.0	4.0	TO220
BLP10N20-B	200	163	7.3	10	-	-	2.0	3.0	4.0	TO263

Trench MOSFET (沟槽场效应晶体管)

Part No.	BV(V)	I _D (A)	R _{DS(ON)} (mΩ)@V _{GS} = 10V		R _{DS(ON)} (mΩ)@V _{GS} = 4.5V		R _{DS(ON)} (mΩ)@V _{GS} = 2.5V		V _{TH} (V)			Package
			Typ.	Max.	Typ.	Max.	Typ.	Max.	Min.	Typ.	Max.	
BLM8205E	20	6.0	-	-	16	22	19	27	0.5	0.7	1.2	TSSOP8(Dual)
BLM8205E	20	6.0	-	-	18	23.5	-	-	0.4	0.7	1.0	SOT23-6(Dual)
BLM2302	20	2.9	-	27	30	45	-	-	0.5	0.7	1.2	SOT23
BLM3400	30	5.8	31	41	34	45	45	59	0.7	0.9	1.4	SOT23
BLM3404	30	5.8	25.5	31	36	43	-	-	1.2	1.6	2.4	SOT23
BLM075N03-D	30	50	5.8	7.5	10	14	-	-	1.0	1.9	2.4	TO252
BLM05N03-D	30	90	4.8	6.0	7.5	12	-	-	1.0	1.9	2.4	TO252
BLM04N03-D	30	90	3.0	4.5	5.0	8.0	-	-	1.0	1.9	2.4	TO252
BLM03N03-D	30	150	2.5	3.0	4.2	6.0	-	-	1.0	1.9	2.4	TO252
BLM024N03-D	30	180	5.8	2.4	3.5	5.0	-	-	1.0	1.9	2.4	TO252
BLM075N04-D	40	60	5.6	7.5	8.0	12	-	-	1.0	1.9	2.4	TO252
BLM055N04-D	40	80	4.2	5.5	6.5	10	-	-	1.0	1.9	2.4	TO252
BLM30DN06L-E	60	6.0	30	35	35	45	-	-	1.3	2.0	2.5	SOP8(Dual)
BLM30N06L-D	60	20	25	30	35	60	-	-	1.0	1.5	2.4	TO252
BLQM30N06L-R	60	20	25	30	35	60	-	-	1.0	1.5	2.4	PDFN3.3×3.3
BLM15N06L-D	60	60	11	15	15	25	-	-	1.0	1.5	2.4	TO252

Trench MOSFET (沟槽场效应晶体管)

Part No.	BV(V)	I _D (A)	R _{DS(ON)} (mΩ)@V _{GS} = 10V		R _{DS(ON)} (mΩ)@V _{GS} = 4.5V		R _{DS(ON)} (mΩ)@V _{GS} = 2.5V		V _{TH} (V)			Package
			Typ.	Max.	Typ.	Max.	Typ.	Max.	Min.	Typ.	Max.	
BLQM15N06L-D	60	60	11	15	15	25	-	-	1.0	1.5	2.4	TO252
BLM15N06-D	60	60	11	15	-	-	-	-	2.0	3.0	4.0	TO252
BLM15N06-P	60	60	11	15	-	-	-	-	2.0	3.0	4.0	TO220
BLM12N06L-D	60	70	9.0	12	13	20	-	-	1.0	1.5	2.4	TO252
BLM12N06-D	60	70	9.0	12	-	-	-	-	2.0	3.0	4.0	TO252
BLM12N06-P	60	70	9.0	12	-	-	-	-	2.0	3.0	4.0	TO220
BLM08N06-D	60	80	7.0	8.0	-	-	-	-	2.0	3.0	4.0	TO252
BLQM08N06-D	60	80	7.0	8.0	-	-	-	-	2.0	3.0	4.0	TO252
BLM08N06-P	60	80	7.0	8.0	-	-	-	-	2.0	3.0	4.0	TO220
BLM07N06-D	60	95	6.0	7.0	-	-	-	-	2.0	3.0	4.0	TO252
BLQM07N06-D	60	95	6.0	7.0	-	-	-	-	2.0	3.0	4.0	TO252
BLM07N06-P	60	95	6.0	7.0	-	-	-	-	2.0	3.0	4.0	TO220
BLM07N06-B	60	95	6.0	7.0	-	-	-	-	2.0	3.0	4.0	TO263
BLM04N06-P	60	150	3.5	4.2	-	-	-	-	2.0	3.0	4.0	TO220
BLM04N06-B	60	150	3.5	4.2	-	-	-	-	2.0	3.0	4.0	TO263
BLM03N06-P	60	60	2.4	3.0	-	-	-	-	2.0	2.9	4.0	TO220
BLM09N68-D	68	70	8.0	9.0	-	-	-	-	2.0	3.0	4.0	TO252
BLM09N68-P	68	70	8.0	9.0	-	-	-	-	2.0	3.0	4.0	TO220
BLM08N68-D	68	90	7.0	8.0	-	-	-	-	2.0	3.0	4.0	TO252
BLM08N68-P	68	90	7.0	8.0	-	-	-	-	2.0	3.0	4.0	TO220
BLM14N08-D	80	60	12	14	-	-	-	-	2.0	3.0	4.0	TO252
BLM14N08-P	80	60	12	14	-	-	-	-	2.0	3.0	4.0	TO220
BLM12N08-D	80	70	9.0	12	-	-	-	-	2.0	3.0	4.0	TO252
BLM12N08-P	80	70	9.0	12	-	-	-	-	2.0	3.0	4.0	TO220
BLM12N08-B	80	70	9.0	12	-	-	-	-	2.0	3.0	4.0	TO263
BLM06N08-P	80	140	4.9	6.0	-	-	-	-	2.0	3.0	4.0	TO220
BLM06N08-B	80	140	4.9	6.0	-	-	-	-	2.0	3.0	4.0	TO263
BLM04N08-P	80	200	3.0	4.0	-	-	-	-	2.0	3.0	4.0	TO220
BLM04N08-B	80	200	3.0	4.0	-	-	-	-	2.0	3.0	4.0	TO263

Trench MOSFET (沟槽场效应晶体管)

Part No.	BV(V)	I _b (A)	R _{DS(ON)} (mΩ)@V _{GS} = 10V		R _{DS(ON)} (mΩ)@V _{GS} = 4.5V		R _{DS(ON)} (mΩ)@V _{GS} = 2.5V		V _{TH} (V)			Package
			Typ.	Max.	Typ.	Max.	Typ.	Max.	Min.	Typ.	Max.	
BLM90N10L-D	100	10	80	90	100	140	-	-	1.0	1.5	2.4	TO252
BLM35DN10L-Q	100	20	31	35	40	50	-	-	1.0	1.5	2.4	PDFN5×6(DUAL)
BLM35N10L-D	100	20	28	35	40	60	-	-	1.0	1.5	2.4	TO252
BLM35N10L-P	100	20	28	35	40	60	-	-	1.0	1.5	2.4	TO220
BLM35N10-D	100	20	28	35	-	-	-	-	2.0	3.0	4.0	TO252
BLM35N10-P	100	20	28	35	-	-	-	-	2.0	3.0	4.0	TO220
BLM30N10L-D	100	25	23	30	35	55	-	-	1.0	1.5	2.4	TO252
BLM30N10L-P	100	25	23	30	35	55	-	-	1.0	1.5	2.4	TO220
BLM30N10-D	100	25	23	30	-	-	-	-	2.0	3.0	4.0	TO252
BLM30N10-P	100	25	23	30	-	-	-	-	2.0	3.0	4.0	TO220
BLM22N10-D	100	50	18	22	-	-	-	-	2.0	3.0	4.0	TO252
BLM22N10-P	100	50	18	22	-	-	-	-	2.0	3.0	4.0	TO220
BLM16N10-D	100	60	14.5	16.5	-	-	-	-	2.0	3.0	4.0	TO252
BLM16N10-P	100	60	14.5	16.5	-	-	-	-	2.0	3.0	4.0	TO220
BLM08N10-P	100	110	7.0	8.0	-	-	-	-	2.0	3.0	4.0	TO220
BLM08N10-B	100	110	7.0	8.0	-	-	-	-	2.0	3.0	4.0	TO263
BLM06N10-P	100	180	5.0	6.0	-	-	-	-	2.0	3.0	4.0	TO220
BLM06N10-B	100	180	5.0	6.0	-	-	-	-	2.0	3.0	4.0	TO263
BLM11N15-P	150	110	9.5	11	-	-	-	-	3.0	4.0	5.0	TO220
BLM06N15-F	150	140	5.3	6.4	-	-	-	-	3.0	4.4	5.0	TO247
BLM30N20-P	200	60	25	30	-	-	-	-	2.0	3.0	4.0	TO220
BLM10N20-F	200	130	8.0	10	-	-	-	-	3.0	4.0	5.0	TO247
BLM07N20-C	200	155	6.5	7.5	-	-	-	-	3.0	-	5.0	TO264
BLM22N20-F	200	70	20	22.8	-	-	-	-	3.0	-	5.0	TO247
BLM22N20-P	200	70	20	22.8	-	-	-	-	3.0	-	5.0	TO220
BLM2301	-20	-3.0	-	-	46	70	62	100	-0.4	-0.7	-1.0	SOT23
BLM2305	-20	-4.1	-	-	43	52	58	75	-0.45	-0.7	-1.0	SOT23
BLM08P02-R	-20	-40	6.0	8.0	7.0	9.0	-	-	-0.4	-0.7	-1.0	PDFN3.3×3.3
BLM08P02-E	-20	-40	6.0	8.0	7.0	9.0	-	-	-0.4	-0.7	-1.0	SOP8

Trench MOSFET (沟槽场效应晶体管)

Part No.	BV(V)	I _b (A)	R _{DS(ON)} (mΩ)@V _{GS} = 10V		R _{DS(ON)} (mΩ)@V _{GS} = 4.5V		R _{DS(ON)} (mΩ)@V _{GS} = 2.5V		V _{TH} (V)			Package
			Typ.	Max.	Typ.	Max.	Typ.	Max.	Min.	Typ.	Max.	
BLM2303	-30	-3.0	55	80	78	108	-	-	-1.0	-1.5	-2.4	SOP8
BLM3407	-30	-4.1	46	65	65	95	-	-	-1.0	-1.5	-2.4	SOT23
BLM3401	-30	-4.2	50	55	64	72	95	120	-0.7	-1.0	-1.3	SOT23
BLM4953	-30	-5.1	48	60	73	105	-	-	-1.0	-1.5	-2.4	SOP8(Dual)
BLM9435	-30	-5.1	48	55	73	105	-	-	-1.0	-1.5	-2.4	SOP8
BLM4435	-30	-9.1	15	20	21	35	-	-	-1.0	-1.5	-2.4	SOP8
BLM4407	-30	-20	11.5	15	18	25	-	-	-1.0	-1.5	-2.4	SOP8
BLM12P03-R	-30	-20	11.5	15	18	25	-	-	-1.0	-1.5	-2.4	PDFN3.3×3.3
BLM12P03-U	-30	-20	11.5	15	18	25	-	-	-1.0	-1.5	-2.4	TO251
BLM10P03-D	-30	-52	7.0	10	10	15	-	-	-1.0	-1.5	-2.4	TO252
BLM10P03-Q	-30	-47	7.0	10	10	15	-	-	-1.0	-1.5	-2.4	PDFN5×6
BLQM10P03-Q	-30	-50	6.8	10	9.0	16	-	-	-1.0	-1.7	-2.4	PDFN5×6
BLM10P03-R	-30	-42	7.0	10	10	15	-	-	-1.0	-1.5	-2.4	PDFN3.3×3.3
BLM10P03-E	-30	-15	7.0	10	10	15	-	-	-1.0	-1.5	-2.4	SOP8
BLQM10P03-E	-30	-15	6.8	10	9	16	-	-	-1.0	-1.7	-2.4	SOP8
BLM40P04-D	-40	-25	32	40	40	48	-	-	-1.0	-1.5	-2.4	TO252
BLM40P04-U	-40	-25	32	40	40	48	-	-	-1.0	-1.5	-2.4	TO251
BLM40P04-R	-40	-20	32	40	40	48	-	-	-1.0	-1.5	-2.4	PDFN3.3×3.3
BLM40P04-E	-40	-7.0	32	40	40	48	-	-	-1.0	-1.5	-2.4	SOP8
BLM30P04-D	-40	-29	25	35	30	40	-	-	-1.0	-1.5	-2.4	TO252
BLM30P04-R	-40	-24	25	35	30	40	-	-	-1.0	-1.5	-2.4	PDFN3.3×3.3
BLM30P04-E	-40	-8.0	25	35	30	40	-	-	-1.0	-1.5	-2.4	SOP8
BLM15P04-D	-40	-40	11	15	14	20	-	-	-1.0	-1.5	-2.4	TO252
BLM70P06-P	-60	-14	73	79	-	-	-	-	-1.5	-2.4	-3.0	TO220
BLM70P06-D	-60	-14	73	79	-	-	-	-	-1.5	-2.4	-3.0	TO252
BLM80P10-D	-100	-20	80	110	95	120	-	-	-1.0	-1.8	-2.4	TO252
BLM80P10-P	-100	-20	80	110	95	120	-	-	-1.0	-1.8	-2.4	TO220
BLM40P10-D	-100	-35	35	42	42	50	-	-	-1.0	-1.5	-2.4	TO252
BLM40P10-P	-100	-35	35	42	42	50	-	-	-1.0	-1.5	-2.4	TO220

High Voltage Super Junction MOSFET (高压超结型场效应晶体管)

Part No.	V _{DSS} (V)	I _b (A)	R _{DS(ON)} (Ω)@V _{GS} = 10V		V _{GS(th)} (V)			Package
			Typ.	Max.	Min.	Typ.	Max.	
BLS60R600EF	600	7.0	0.55	0.6	3.5	4.0	4.5	TO220 TO220F TO251 TO252
BLS60R560EF	600	8.0	0.52	0.56	3.5	4.0	4.5	TO220 TO220F TO251 TO252
BLS60R520	600	8.0	0.47	0.52	3.0	3.5	4.0	TO220 TO220F TO251 TO252
BLS60R360	600	11	0.31	0.36	2.5	3.0	3.5	TO220 TO220F TO251 TO252
BLS60R380F	600	11	0.32	0.38	3.5	4.0	4.5	TO220 TO220F TO251 TO252
BLS60R150	600	25.3	0.126	0.15	3.0	3.5	4.0	TO220 TO220F TO247 TO3PN
BLS60R150F	600	23	0.13	0.15	3.5	4.0	4.5	TO220 TO220F TO247 TO3PN
BLS60R036	600	75	0.032	0.036	3.5	4.0	4.5	TO247 TO3PN
BLS60R020F	600	102	0.018	0.02	3.0	-	4.0	TO247 TO247-4 TO3PN
BLS65R560	650	8.0	0.5	0.56	3.0	3.5	4.0	TO220 TO220F TO251 TO252
BLS65R380	650	11	0.33	0.38	2.5	3.0	3.5	TO220 TO220F TO251 TO252
BLS65R165	650	24	0.135	0.17	3.0	3.5	4.0	TO220 TO220F TO247 TO3PN
BLS65R165-L	650	24	0.13	0.17	3.0	3.5	4.0	DFN8×8
BLS65R099	650	41	0.071	0.099	3.0	-	4.0	TO220F TO247
BLS65R070F	650	47	0.062	0.07	3.0	3.5	4.0	TO247 TO3PN
BLS65R041F	650	70	0.035	0.041	3.5	4.0	4.5	TO247 TO3PN
BLS65R600F	650	8.0	0.52	0.6	3.0	3.5	4.0	TO220 TO220F TO251 TO252
BLS65R620F	650	8.0	0.52	0.62	3.0	3.5	4.0	TO220 TO220F TO251 TO252
BLS65R380T	650	11	20	380	3.0	3.5	4.0	TO252
BLS65R230T	650	18	200	230	3.0	3.5	4.0	TO220
BLS70R600	700	8.0	0.54	0.6	3.0	3.5	4.0	TO220 TO220F TO251 TO252
BLS70R420	700	11	0.35	0.42	2.5	3.0	3.5	TO220 TO220F TO251 TO252 TO263
BLS70R180	700	23	0.15	0.18	3.0	3.5	4.0	TO220 TO220F TO247 TO3PN
BLS80R760	800	10	0.58	0.76	2.5	3.0	3.5	TO220 TO220F TO251 TO252
BLS80R990	800	7.0	0.92	0.99	2.5	3.0	3.5	TO220 TO220F TO251 TO252
BLS80R1K0E	800	7.0	0.95	1.0	2.5	3.0	3.5	TO220 TO220F TO251 TO252 SOT223

High Voltage Planar MOSFET (高压平面型场效应晶体管)

Part No.	V _{DSS} (V)	I _b (A)	R _{DS(ON)} (Ω)@V _{GS} = 10V		V _{GS(th)} (V)			Package
			Typ.	Max.	Min.	Typ.	Max.	
BL9N20	200	9.0	0.26	0.32	2.0	3.0	4.0	TO251 TO252
BL18N20	200	18	0.13	0.18	2.0	3.0	4.0	TO220 TO220F TO251 TO252
BL80N20	200	80	0.022	0.028	2.0	3.0	4.0	TO247 TO3PN
BL9N25	250	9.0	0.32	0.4	2.0	3.0	4.0	TO220 TO220F TO251 TO252
BL13N25	250	13	0.23	0.28	2.0	3.0	4.0	TO220 TO220F TO251 TO252
BL15N25	250	15	0.19	0.23	2.0	3.0	4.0	TO220 TO220F TO251 TO252
BL33N25	250	33	0.11	0.15	2.0	3.0	4.0	TO220 TO220F
BL40N25	250	40	0.065	0.08	2.0	3.0	4.0	TO247 TO3PN
BL60N25	250	60	0.042	0.05	2.0	3.0	4.0	TO247 TO3PN
BL90N25	250	90	0.027	0.032	2.0	3.0	4.0	TO247 TO3PN
BL13N30	300	13	0.21	0.25	2.0	3.0	4.0	TO220 TO220F TO251 TO252
BL30N30	300	30	0.11	0.14	2.0	3.0	4.0	TO220 TO220F TO263
BL40N30	300	40	0.08	0.11	2.0	3.0	4.0	TO247 TO3PN
BL50N30	300	50	0.053	0.063	2.0	3.0	4.0	TO247 TO3PN
BL59N30	300	59	0.032	0.041	2.0	3.0	4.0	TO247 TO3PN
BL6N40	400	6.0	0.75	0.9	2.0	3.0	4.0	TO220 TO220F TO251 TO252
BL10N40	400	10	0.4	0.46	2.0	3.0	4.0	TO220 TO220F TO251 TO252
BL11N40	400	11	0.36	0.43	2.0	3.0	4.0	TO220 TO220F TO251 TO252
BL19N40	400	19	0.22	0.27	2.0	3.0	4.0	TO220 TO220F
BL25N40	400	25	0.135	0.27	2.0	3.0	4.0	TO220 TO220F TO247 TO3PN
BL5N50	500	5.0	1.31	1.57	2.0	3.0	4.0	TO220 TO220F TO251 TO252
BL5N50A	500	5.0	1.45	1.75	2.0	3.0	4.0	TO220 TO220F TO251 TO252
BL8N50	500	8.0	0.73	0.88	2.0	3.0	4.0	TO220 TO220F TO251 TO252
BL9N50	500	9.0	0.57	0.7	2.0	3.0	4.0	TO220 TO220F TO251 TO252
BL12N50	500	12	0.52	0.62	2.0	3.0	4.0	TO220 TO220F
BL13N50	500	13	0.48	0.55	2.0	3.0	4.0	TO220 TO220F
BL15N50	500	15	0.27	0.36	2.0	3.0	4.0	TO220 TO220F
BL20N50	500	20	0.21	0.28	2.0	3.0	4.0	TO220 TO220F TO3PF TO3PN

High Voltage Planar MOSFET (高压平面型场效应晶体管)

Part No.	V _{DSS} (V)	I _b (A)	R _{DS(ON)} (Ω)@V _{GS} = 10V		V _{GS(th)} (V)			Package
			Typ.	Max.	Min.	Typ.	Max.	
BL23N50	500	23	0.22	0.27	2.0	3.0	4.0	TO220F TO220 TO3PF TO3PN
BL25N50	500	25	0.17	0.21	2.0	3.0	4.0	TO3PF TO3PN
BL30N50	500	30	0.09	0.12	2.0	3.0	4.0	TO247 TO3PN
BL2N60	600	2.0	3.5	4.0	2.0	3.0	4.0	TO251 TO252 TO220 TO220F
BL4N60A	600	4.0	2.2	2.6	2.0	3.0	4.0	TO251 TO252 TO220 TO220F
BL7N60A	600	7.0	1.0	1.25	2.0	3.0	4.0	TO251 TO252 TO220 TO220F
BL8N60	600	8.0	0.85	1.0	2.0	3.0	4.0	TO251 TO252 TO220 TO220F
BL10N60A	600	10	0.62	0.75	2.0	3.0	4.0	TO220 TO220F
BL10N60	600	10	0.47	0.6	2.0	3.0	4.0	TO220 TO220F
BL12N60	600	12	0.4	0.5	2.0	3.0	4.0	TO220 TO220F
BL20N60	600	20	0.33	0.4	2.0	3.0	4.0	TO220 TO220F TO247 TO3PN
BL25N60	600	25	0.21	0.26	2.0	3.0	4.0	TO247 TO3PN
BL30N60	600	30	0.11	0.15	2.0	3.0	4.0	TO247 TO3PN
BL1N60S	600	1.2	9.0	11	2.0	3.0	4.0	TO220 TO220F TO251 TO252
BL1N65	650	1.2	9.5	12	2.0	3.0	4.0	TO220 TO220F TO251 TO252
BL2N65	650	2.0	4.5	5.4	2.0	3.0	4.0	TO220 TO220F TO251 TO252
BL4N65A	650	4.0	2.4	2.9	2.0	3.0	4.0	TO220 TO220F TO251 TO252
BL4N65	650	4.0	2.0	2.6	2.0	3.0	4.0	TO220 TO220F TO251 TO252
BL7N65	650	7.0	1.0	1.25	2.0	3.0	4.0	TO220 TO220F TO251 TO252
BL7N65A	650	7.0	1.28	1.55	2.0	3.0	4.0	TO220 TO220F TO251 TO252
BL8N65	650	8.0	0.98	1.2	2.0	3.0	4.0	TO220 TO220F TO251 TO252
BL10N65A	650	10	0.87	1.0	2.0	3.0	4.0	TO220 TO220F
BL10N65	650	10	0.62	0.75	2.0	3.0	4.0	TO220 TO220F
BL12N65A	650	12	0.58	0.73	2.0	3.0	4.0	TO220 TO220F
BL12N65	650	12	0.5	0.62	2.0	3.0	4.0	TO220 TO220F
BL20N65	650	20	0.39	0.46	2.0	3.0	4.0	TO220 TO220F TO247 TO3PN
BL25N65	650	25	0.25	0.28	2.0	3.0	4.0	TO247 TO3PN
BL30N65	650	30	0.15	0.18	2.0	3.0	4.0	TO247 TO3PN

High Voltage Planar MOSFET (高压平面型场效应晶体管)

Part No.	V _{DSS} (V)	I _b (A)	R _{DS(ON)} (Ω)@V _{GS} = 10V		V _{GS(th)} (V)			Package
			Typ.	Max.	Min.	Typ.	Max.	
BL7N70	700	7.0	1.2	1.4	2.0	3.0	4.0	TO220 TO220F TO251 TO252
BL10N70A	700	10	0.95	1.2	2.0	3.0	4.0	TO220 TO220F
BL10N70	700	10	0.7	0.85	2.0	3.0	4.0	TO220 TO220F
BL4N80A	800	3.5	3.6	4.3	2.8	-	4.2	TO220 TO220F TO251 TO252
BL4N80	800	4.0	2.3	2.8	3.0	3.5	4.0	TO220 TO220F TO251 TO252
BL10N80	800	10	0.72	0.9	3.0	3.5	4.0	TO220 TO220F TO247 TO3PF TO3PN
BL3N90	900	3.0	3.9	4.5	2.8	-	4.2	TO220 TO220F TO251 TO252
BL3N90E	900	3.0	4.8	5.5	3.0	3.5	4.0	TO220F TO251 TO252
BL4N90	900	4.0	2.6	3.0	3.0	3.5	4.0	TO220 TO220F TO251 TO252
BL9N90	900	9.0	0.83	1.0	3.0	3.5	4.0	TO220 TO220F TO247 TO3PF TO3PN
BL2N100	1000	2.0	5.2	6.0	3.0	3.5	4.0	TO220 TO220F TO247 TO3PF TO3PN
BL3N100	1000	3.0	3.5	4.2	3.0	3.5	4.0	TO220 TO220F TO251 TO252
BL3N100E	1000	2.5	6.2	7.5	3.0	3.5	4.0	TO220 TO220F TO251 TO252
BLQ3N100E	1000	2.5	6.2	7.5	3.0	3.5	4.0	TO252
BL8N100	1000	8.0	1.1	1.3	3.0	3.5	4.0	TO220 TO220F TO247 TO3PF TO3PN
BL3N120	1200	3.0	5.0	6.0	3.0	4.0	5.0	TO220 TO220F TO251 TO252
BLQ3N120	1200	3.0	5.0	6.0	3.0	4.0	5.0	TO263
BL6N120	1200	6.0	2.3	2.9	3.0	4.0	5.0	TO220 TO220F TO247 TO3PF TO3PN
BL2N150	1500	2.0	8.0	10	3.0	4.0	5.0	TO220 TO220F TO251 TO252
BL3N150	1500	3.0	5.8	8.0	3.0	4.0	5.0	TO220 TO220F TO247 TO3PF TO3PN
BL4N150	1500	4.0	4.0	5.5	3.0	4.0	5.0	TO220 TO220F TO247 TO3PF TO3PN

IGBT 绝缘栅双极晶体管

IGBT (绝缘栅双极晶体管)

Part No.	BV _{CES} (V)	I _c (A)	V _{CE(sat)} (V)		V _{GS(th)} (V)			Eon(mJ)	Eoff(mJ)	Package
			Typ.	Max.	Min.	Typ.	Max.	Typ.	Typ.	
BLG05T65FDL7-D	650	5.0	1.5	1.9	5.0	5.8	6.5	0.114	0.098	TO220 TO252 TO263
BLG10T65FUL-D	650	10	1.4	1.8	4.4	5.2	6.0	0.17	0.14	TO252
BLG10T65FDL-A/B/F	650	10	1.4	1.8	4.4	5.2	5.9	0.17	0.14	TO220F TO247 TO263
BLG10T65FDB-A/A1/B/P	650	10	1.4	1.8	4.4	5.2	5.9	0.17	0.14	TO220 TO220F TO263
BLG15T65FUA-A/P/B	650	15	1.55	1.95	4.4	5.2	5.9	0.25	0.2	TO220 TO220F TO263
BLG15T65FUB-A/B/P	650	15	1.55	1.95	4.4	5.2	5.9	0.25	0.2	TO220 TO220F TO263
BLG15T65FDB-A/B/P	650	15	1.55	1.95	4.4	5.2	5.9	0.25	0.2	TO220 TO220F TO220FM TO263
BLG15T65FUL-A/B/P	650	15	1.4	1.8	5.0	5.8	6.5	0.21	0.26	TO220 TO220F TO263
BLG15T65FULB-A/B/P/F	650	15	1.55	1.95	5.0	5.8	6.5	0.32	0.35	TO220 TO220F TO247 TO263
BLG20T65FULA-A/P/F/B	650	20	1.55	1.95	5.0	5.8	6.5	0.28	0.28	TO220 TO220F TO247 TO263
BLG20T65FDLA-A/P/F/B	650	20	1.55	1.95	5.0	5.8	6.5	0.28	0.28	TO220 TO220F TO220FM TO247 TO263
BLG20T65FDLB-A/P/F/B	650	20	1.75	2.15	5.0	5.8	6.5	0.4	0.42	TO220 TO220F TO247 TO263
BLG20T65FBL-B	650	20	1.55	1.95	5.0	5.8	6.5	0.45	0.4	TO263
BLG30T65FDL-A/F/B/K/P	650	30	1.65	2.05	4.7	5.5	6.2	0.53	0.48	TO220 TO220F TO247 TO263 TO3PF
BLG30T65FDH-A/B/F/K/P	650	30	1.7	2.1	4.7	5.5	6.2	0.6	0.32	TO220 TO220F TO247 TO263 TO3PF
BLG30T65FDK A/F/B/K/P	650	30	1.7	2.1	4.7	5.5	6.2	0.6	0.32	TO220 TO220F TO247 TO263 TO3PF
BLG40T65FUK-W/F/K	650	40	1.55	1.95	4.7	5.5	6.2	0.6	0.38	TO247 TO3PF TO3PN
BLG40T65FDK-F/W	650	40	1.55	1.95	4.7	5.5	6.2	0.6	0.38	TO247 TO3PN
BLG40T65FDL-W/F/K	650	40	1.45	1.85	4.7	5.5	6.2	0.65	0.68	TO247 TO3PF TO3PN
BLG40T65FUL-W/F/K	650	40	1.45	1.85	4.7	5.5	6.2	0.65	0.68	TO247 TO3PF TO3PN
BLQG40T65FL-F	650	40	1.45	1.85	4.7	5.5	6.2	0.65	0.68	TO247
BLQG40T65FDL-F	650	40	1.45	1.85	4.7	5.5	6.2	0.65	0.68	TO247
BLQG40T65FK-F	650	40	1.55	1.95	4.7	5.5	6.2	0.8	0.5	TO247
BLQG40T65FDK-F	650	40	1.55	1.95	4.7	5.5	6.2	0.8	0.5	TO247
BLQG50T65FKA-F	650	40	1.65	2.05	4.7	5.5	6.2	0.8	0.5	TO247
BLQG50T65FCKA-F	650	40	1.65	2.05	4.7	5.5	6.2	0.6	0.5	TO247
BLQG50T65FDLA-F	650	50	1.6	2.0	4.7	5.5	6.2	0.98	0.81	TO247
BLQG50T65FDKA-F	650	50	1.65	2.05	4.7	5.5	6.2	0.8	0.5	TO247

IGBT (绝缘栅双极晶体管)

Part No.	BV _{CES} (V)	I _c (A)	V _{CE(sat)} (V)		V _{GS(th)} (V)			Eon(mJ)	Eoff(mJ)	Package
			Typ.	Max.	Min.	Typ.	Max.	Typ.	Typ.	
BLG50T65FLA-F	650	50	1.6	2.0	4.7	5.5	6.2	0.98	0.81	TO247
BLG50T65FDKA-F	650	50	1.65	2.05	4.7	5.5	6.2	0.8	0.5	TO247
BLG50T65FDKA-Z	650	50	1.65	2.05	4.7	5.5	6.2	0.55	0.5	TO247-4
BLG50T65FUKA-F	650	50	1.65	2.05	4.7	5.5	6.2	0.8	0.5	TO247
BLG50T65FKA-F	650	50	1.6	2.0	4.7	5.5	6.2	0.8	0.5	TO247
BLG50T65FDLA-W/F/K	650	50	1.6	2.0	4.7	5.5	6.2	0.98	0.81	TO247 TO3PN TO3PF
BLG60T65FUL-W/F/K	650	60	1.6	2.0	4.7	5.5	6.2	1.2	1.5	TO247 TO3PN TO3PF
BLG60T65FDL-W/F/K	650	60	1.6	2.0	4.7	5.5	6.2	1.2	1.5	TO247 TO3PN TO3PF
BLG60T65FDK-W/F/K	650	60	1.7	2.1	4.7	5.5	6.2	1.39	1.06	TO247 TO3PN TO3PF
BLG75T65FDL-F	650	75	1.7	2.1	4.7	5.5	6.2	1.14	1.53	TO247
BLG75T65FUK-F	650	75	2.0	2.4	4.7	5.5	6.2	1.25	1.1	TO247
BLG75T65FDK-F	650	75	2.0	2.4	4.7	5.5	6.2	1.25	1.1	TO247
BLG80T65FDK7-F	650	80	1.65	2.05	3.2	4.0	4.7	2.0	0.8	TO247
BLG80T65FDH7-F	650	80	1.5	1.9	3.2	4.0	4.7	1.5	0.95	TO247
BLG80T65FDL7-F	650	80	1.4	1.8	4.2	5.0	5.7	2.2	1.3	TO247
BLQG275T75F	750	275	1.4	1.7	5.0	5.8	6.5	3.6	15.3	Modular Chip
BLG25T120FDL5-F	1200	25	1.75	2.15	4.7	5.5	6.2	1.32	1.66	TO247
BLG40T120FUH-F	1200	40	2.0	2.4	5.0	5.8	6.5	3.5	1.1	TO247
BLG40T120FDH-F	1200	40	2.0	2.4	5.0	5.8	6.5	3.5	1.1	TO247
BLG40T120FUK-F	1200	40	2.35	2.75	5.0	5.8	6.5	4.1	0.85	TO247
BLG40T120FUK5-F	1200	40	1.9	2.3	4.7	5.5	6.2	2.45	1.2	TO247
BLG40T120FDK5-F	1200	40	1.9	2.3	4.7	5.5	6.2	2.45	1.2	TO247
BLG40T120FL5-F	1200	40	1.65	2.05	4.7	5.5	6.2	2.04	2.76	TO247
BLG40T120FDL5-F	1200	40	1.65	2.05	4.7	5.5	6.2	2.65	2.8	TO247
BLQG40T120FL5-F/O	1200	40	1.65	2.05	4.7	5.5	6.2	2.04	2.76	TO247 TO247plus
BLQG40T120FDL5-F	1200	40	1.65	2.05	4.7	5.5	6.2	2.04	2.76	TO247
BLG200T120_ 高频	1200	200	1.8	2.2	5.0	5.8	6.5	5.25	16.36	Modular Chip
BLG200T120_ 低频	1200	200	1.7	2.1	4.7	5.5	6.2	18.5	14.5	Modular Chip

Ignition IGBT (点火绝缘栅双极晶体管)

Part No.	V _{DSS} (V)	I _b (A)	V _(th) (V)			Package
			Min.	Typ.	Max.	
BLQG3040-B	400	17	1.3	1.6	2.2	TO263
BLG3040A-I (工业级)	400	17	1.3	1.6	2.2	TO262
BLQG3040A-D	400	17	1.3	1.6	2.2	TO252(X)
BLQG3040A-D	400	17	1.3	1.6	2.2	TO253(H)
BLG3040A-B (工业级)	400	17	1.3	1.6	2.2	TO263
BLQG3040A-B	400	17	1.3	1.6	2.2	TO263
BLG3040-D (工业级)	425	17	1.3	1.6	2.2	TO252
BLQG3043-D	425	17	1.3	1.6	2.2	TO252
BLG3040-D (车规级)	425	17	1.3	1.6	2.2	TO252
BLG3040-B (车规级)	425	17	1.3	1.6	2.2	TO263
BLG3040-B (工业级)	425	17	1.3	1.6	2.2	TO263
BLG3040-I (工业级)	425	17	1.3	1.6	2.2	TO262
BLQG5036-B	360	32	1.2	1.6	2.2	TO263

IGBT Module (绝缘栅双极晶体管模块)

Part No.	BV _{CES} (V)	I _c (A)	V _{CE(sat)} (V)		V _{GS(th)} (V)			T _{d(on)} (ns)	T _r (ns)	T _{d(off)} (ns)	T _f (ns)	E _{on} (mJ)	E _{off} (mJ)	Package
			Typ.	Max.	Min.	Typ.	Max.	Typ.	Typ.	Typ.	Typ.	Typ.		
BLGMF600T120FCDS4	1200	600	1.75	2.3	4.7	5.5	6.2	335	341	836	164	238	85	ED3
BLQGMS820T75FEDL7	750	820	1.45	1.95	5.2	5.7	6.2	228	92	612	70	20	56	HPD
BLGMF200T120FAUS4	1200	200	1.8	2.3	5.0	5.6	6.2	618	52	805	77	8.6	15.8	34mm

SIC 碳化硅

SIC MOSFET (碳化硅场效应晶体管)

Part No.	V _{DSS} (V)	I _b (A)	V _{GS(th)} (V)			R _{DS(ON)} (mΩ) @V _{GS} =18V		Package
			Min.	Typ.	Max.	Typ.	Max.	
BLC45N65-F/ZA	650	64	1.8	2.8	4.5	45	64	TO247 TO247-4L-2
BLC60N120-F/ZA	1200	40	1.8	2.5	3.6	60	80	TO247 TO247-4L-2
BLC32N120-F/ZA	1200	70	1.8	2.6	3.6	32	43	TO247 TO247-4L-2
BLC16N120-ZA	1200	120	1.8	2.5	3.6	16	22	TO247-4L-2
BLC13N120-ZA	1200	152	1.8	2.6	3.6	13	16	TO247-4L-2
BLC120N120-F/ZA	1200	25.8	1.8	2.8	3.6	122	161	TO247 TO247-4L-2
BLC1K0N170-F	1700	8.5	1.8	2.1	3.2	350	380	TO247
BLQC45N65-Z/BG	650	64	1.8	2.8	4.5	45	64	TO247-4L TO263US-7L
BLQC75N120-Z/BG	1200	40	1.8	2.5	3.6	75_V _{GS} =15V	100_V _{GS} =15V	TO247-4L TO263US-7L
BLQC16N120-Z	1200	120	1.8	2.5	3.6	16	22	TO247-4L
BLQC40N120-Z/BE	1200	70	1.8	2.6	3.6	39_V _{GS} =15V	53_V _{GS} =15V	TO247-4L TO263LV-7L
BLQC13N120-Z	1200	152	1.8	2.5	3.6	13	16	TO247-4L
BLQC160N120-Z/BG	1200	25	1.8	2.8	3.6	158_V _{GS} =15V	205_V _{GS} =15V	TO247-4L TO263US-7L

SIC JBS (碳化硅二极管)

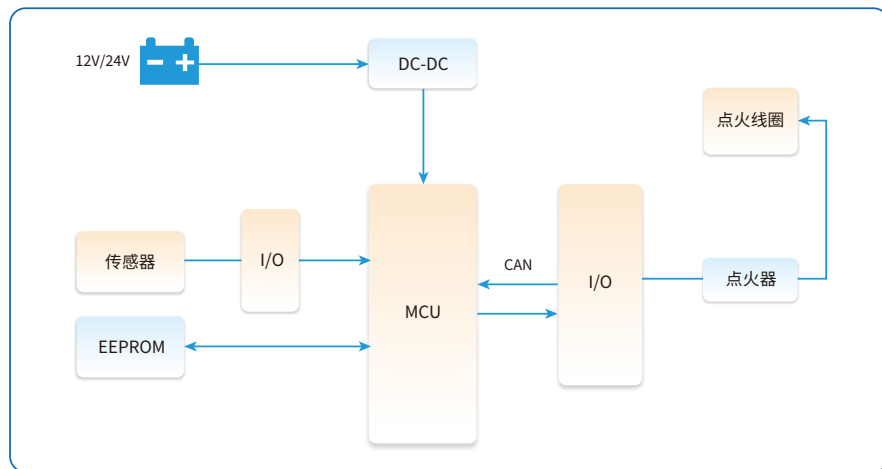
Part No.	V _{DSS} (V)	I _F (A)	V _F (V) @25°C		Q _c (nC)	I _{FSM} (A)@10ms	Package
			Typ.	Max.	Typ.		
BLC20J65-FD/F	650	20	1.34	1.6	56	120	TO247-2 TO247-3
BLC20J120-F	1200	20	1.42	1.7	72	180	TO247-3
BLQC20J65-FD/F	650	20	1.34	1.6	56	120	TO247-2 TO247-3
BLQC20J120-F	1200	20	1.42	1.7	72	180	TO247-3

SIC Module (碳化硅模块)

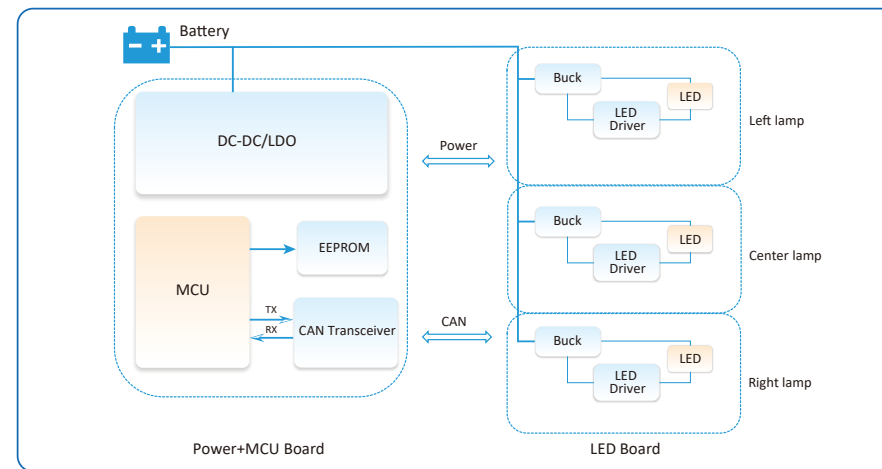
Part No.	V _{DSS} (V)	I _b (A)	R _{DS(ON)} (mΩ) @V _{GS} = 15V		V _{GS(th)} (V)			T _{don} (ns)	T _r (ns)	T _{doff} (ns)	T _f (ns)	E _{on} (mJ)	E _{off} (mJ)	Package
			Typ.	Max.	Min.	Typ.	Max.	Typ.	Typ.	Typ.	Typ.	Typ.		
BLCMF011N120DG2	1200	144	10.5	14	1.8	2.6	3.6	39.7	37.8	70.4	18.6	1.19	0.66	Easy 1B

Belling Solutions 贝岭解决方案

Automobile Igniter (汽车点火器)



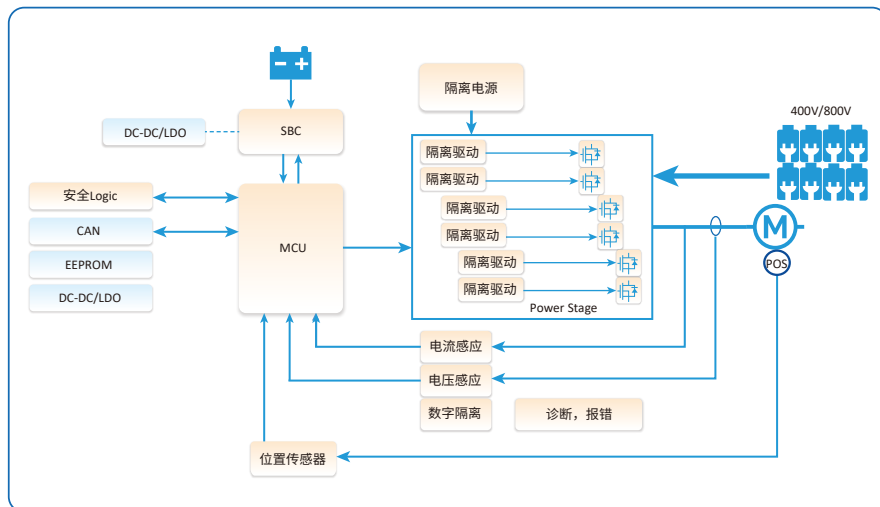
Automobile Lighting Solution (汽车车灯)



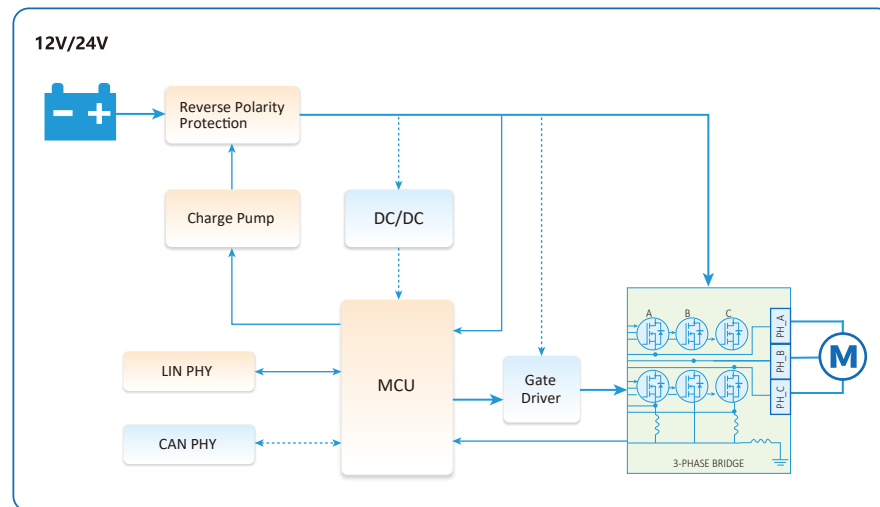
Type	Part No.	Description	Package
Op-Amp	MEQ2902/MEQ2904	2/4-channel Operational Amplifier	SOP8
IGBT	3040 Series	Automotive Ignition IGBT	TO252 TO262 TO263
	BLQG3043	Automotive Ignition IGBT	TO252 TO263
	BLQG5036	Automotive Ignition IGBT	TO263
Comparator	MEQ2903	2/4-channel Voltage Comparator	SOP8
	BL8078Q	40V/150mA Low Consumption Voltage Regulator	SOP8
LDO	BLQ78L05	36V/100mA, LDO	SOT89-3 SOP8
	MEQ6310	6V/300mA, 150mA Low Dropout Low Dropout, Low Noise, Fast Response LDO	SOT23-5
	BL1117	18V/1A, LDO	SOT223 TO252
	BLE6234	40V/100mA, 2.5μA IQ, LDO	SOT89-3
DC-DC	BLL2740	42V/3.5A, CC/CV, Buck DC/DC	SOP8
	BL9362	60V/0.6A, Step-Down DC/DC Converter	SOT23-6
CAN (2025)		±58V Withstand Voltage, CAN FD Transceiver, Support 3~5.5V MCU, With System Power Control (INH) And Wake-up Function	

Type	Part No.	Description	Package
LDO	BL8078Q	40V/150mA Low Consumption Voltage Regulator	SOP8
	MEQ6310	6V/300mA, 150mA Low Dropout Low Dropout, Low Noise, Fast Response LDO	SOT23-5
	BL1117	18V/1A LDO	SOT223 TO252
	BLQ78L05	3-Terminal 36V/100mA Voltage Regulator	SOP8 SOT89-3
	ME6234	40V/100mA Low Power, High PSRR LDO	SOT89-3
	ME6261	60V/100mA Low Power, High PSRR LDO	SOT23-3 SOT89-3
EEPROM	BL24CXXXA	I ² C 2K~2048K EEPROM	SOP8 TSSOP8 DFN2x2-8L
DC-DC	BLL2740	42V/3.5A, CC/CV, Buck DCDC	ESOP8
	BL9362	60V/0.6A, Step-Down DC/DC Converter	SOT23-6
LED Driver	MEDS92630	Three-channel Linear LED Driver With PWM Dimming Function	ETSSOP16
	MEQDS7610	One-channel linear LED Driver	EMSOP8
	BLL2770	40V Synchronous Constant Current LED Driver	SOP8
	BLL2771	70V Synchronous Constant Current LED Driver	QFN5x5-14L
Op-Amp	MEQ2902/MEQ2904	2/4-Channel Operational Amplifier	SOP8
Comparator	MEQ2903	2-Channel Voltage Comparator	SOP8
MOSFET		LV Trench, SGT MOSFET	TO220 TO252
CAN (2025)		±58V Withstand Voltage, CAN FD Transceiver, Support 3~5.5V MCU, With System Power Control (INH) And Wake-up Function	
Gate Driver (2025)		High-Side and Low-Side Driver	

Automobile Main Drive Motor Control (汽车主驱电机控制)



Automobile Electronic Oil/water Pump Driver (汽车电子油泵水泵驱动)

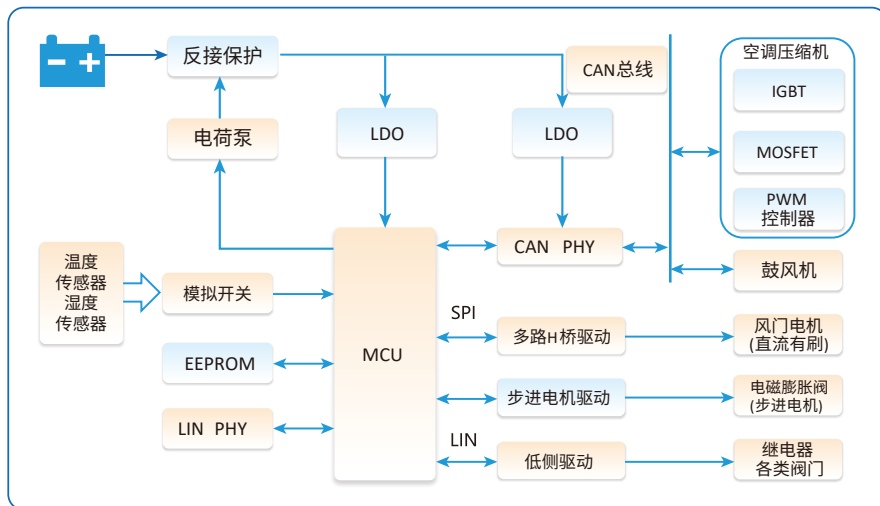


51

Type	Part No.	Description	Package
IGBT	BLQG200T120	1200V 200A IGBT	Chips
	BLQG275T75F	750V 275A IGBT	Chips
FRD	BLQF275N75	750V 275A FRD	Chips
SiC MOSFET	BLQC16N120	1200V, 16mΩ	TO247-4
	BLQC13N120	1200V, 13mΩ	TO247-4
Pre-Driver	HSA6881	1200V, 1 Channel, ISO	SOW16
	BL8078Q	40V/150mA Low Consumption Voltage Regulator	SOP8
LDO	BLQ78L05	36V/100mA, LDO	SOT89-3 SOP8
	MEQ6310	6V/300mA, 150mA Low Dropout Low Dropout, Low Noise, Fast Response LDO	SOT23-5
EEPROM	BL24CXXA	2K~2048K EEPROM	SOP8 TSSOP8 DFN2x2-8L
	BL9352A	45V, 0.6A Step-Down DC/DC Converter	SOT23-6
DC-DC	BL9362	60V, 0.6A, Step-Down DC/DC Converter	SOT23-6
	BLP065N08G	85V 6.6mΩ SGT MOS	DFN5x6 TO252 TO220 TO263
MOSFET	BLQM15N06L	60V 15mΩ Trench NMOS	TO252
	BLQM30N06L	60V 30mΩ Trench NMOS	DFN3x3
	BLQ3N100E	1000V High Voltage Planar NMOS	TO252
	BLQ3N120	1200V High Voltage Planar NMOS	TO263
	BL3N150	1500V High Voltage Planar NMOS	TO3PF
CAN (2025)		±58V Withstand Voltage, CAN FD Transceiver, Support 3~5.5V MCU, With System Power Control (INH) And Wake-up Function	
Gate Driver (2025)		High-Side and Low-Side Driver	

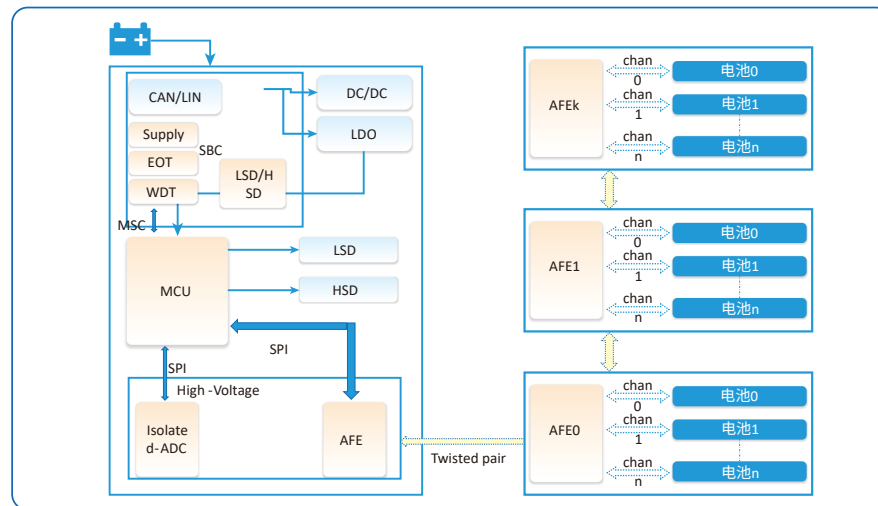
Type	Part No.	Description	Package
LDO	BL8078Q	40V/150mA Low Consumption Voltage Regulator	SOP8
	BLQ78L05	36V/100mA, LDO	SOT89-3 SOP8
	MEQ6310	6V/300mA, 150mA Low Dropout Low Dropout, Low Noise, Fast Response LDO	SOT23-5
DC-DC	BLL2740	42V/3.5A, CC/CV, Buck DC/DC	ESOP8
	BL9362	60V/0.6A, Step-Down DC/DC Converter	SOT23-6
MOSFET	BLQM07N06	60V 95A Trench NMOS	TO252-2
	BLQM08N06	60V 80A Trench NMOS	TO252-2
	BLP12N10G	100V 50A SGT MOS	TO220F TO252 PDFN5x6 SOP8
CAN (2025)		±58V Withstand Voltage, CAN FD Transceiver, Support 3~5.5V MCU, Wake-up	
Gate Driver (2025)		High-Side and Low-Side Driver	

Automobile Air Conditioning Control Panel (汽车空调控制板)



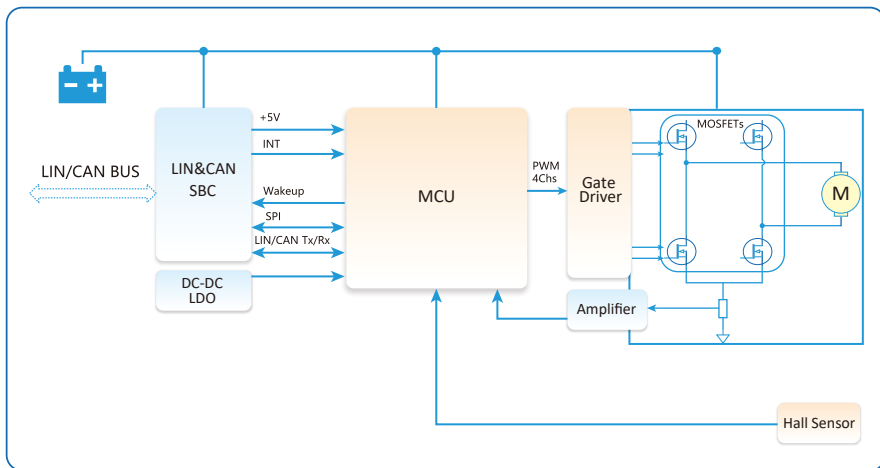
Type	Part No.	Description	Package
LDO	BL8078Q	40V/50mA 2.5μA Voltage Regulator	SOP8
	BLQ78L05	36V/100mA, LDO	SOT89-3 SOP8
	MEQ6310	6V/300mA, 150mA Low Dropout Low Dropout, Low Noise, Fast Response LDO	SOT23-5
	BL1117	18V/1A LDO	SOT223 TO252
EEPROM	BL24CXXXA	2K~2048K EEPROM	SOP8 TSSOP8 DFN2x2-8L
Motor Driver	SA8548	30V 1.2A Stepper Motor Driver	SOP10
AC/DC	MEQ3843	High-Performance Fixed-Frequency Current Mode Controller	SOP8
SIC MOSFET	BLQC75N120	1200V, 75mΩ	TO247-4
MOSFET	BLM30N06L	60V 30Mohm N MOSFET	TO252
	BLQM07N06	60V 95A Trench NMOS	TO252
	BLQM08N06	60V 80A Trench NMOS	TO252
IGBT	BLQG50T65	650V 50A IGBT	TO247
	BLG40T120	1200V 40A IGBT	TO247
Op-Amp	MEQ2902/MEQ2904	2/4-Channel Operational Amplifier	SOP8
Pre-Driver	SAQ3101	1 Channel, 600V, 1.9A/2.3A	SOP8
Comparator	MEQ2903	2/4-Channel Voltage Comparator	SOP8
Gate Driver (2025)		High-Side and Low-Side Driver	

Automobile BMS (汽车 BMS)



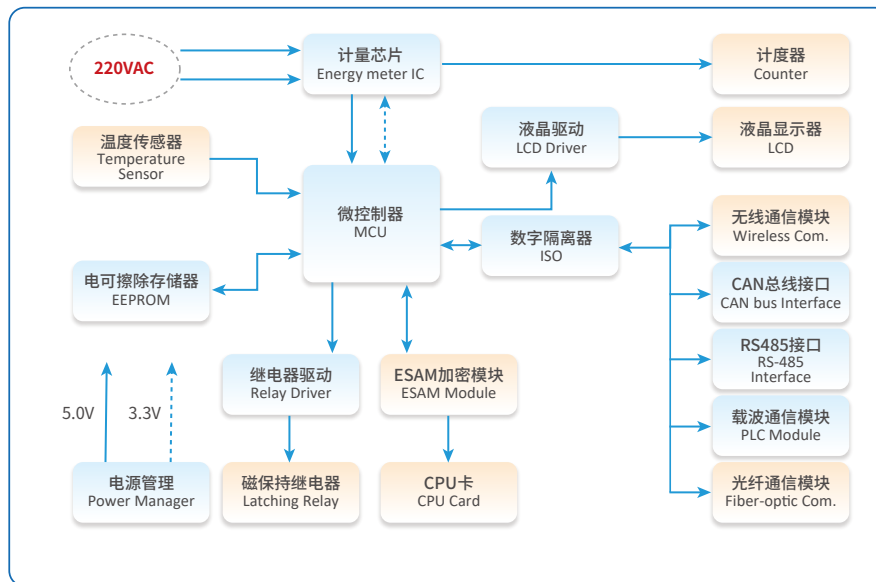
Type	Part No.	Description	Package
LDO	BL8078Q	40V/150mA Low Consumption Voltage Regulator	SOP8
	BLQ78L05	36V/100mA, LDO	SOT89-3 SOP8
	MEQ6310	6V/300mA, 150mA Low Dropout Low Dropout, Low Noise, Fast Response LDO	SOT23-5
	BL1117	18V/1A, LDO	SOT223 TO252
DC-DC	BLE6234	40V/100mA 2.5μA IQ, LDO	SOT89-3
	BLL2740	42V/3.5A, CC/CV, Buck DC/DC	SOP8
MOSFET	BL9362	60V/0.6A, Step-Down DC/DC Converter	SOT23-6
	BLQ3N100E	3A/1000V UHV Planar MOS	TO220 TO252
	BLQ3N120	3A/1200V UHV Planar MOS	TO220 TO252
RTC	BLQ3N150	3A/1500V UHV Planar MOS	TO220 TO247 TO3PF TO3PN
	BL5372	Real-time Clock	SOP8
EEPROM	BL24CXXXA	2K~2048K EEPROM	SOP8 TSSOP8 DFN2x2-8L
CAN (2025)		±58V Withstand Voltage, CAN FD Transceiver, Support 3~5.5V MCU, With System Power Control (INH) And Wake-up Function	
Gate Driver (2025)		High-Side and Low-Side Driver	

Automobile Window Control (汽车车窗控制)



Type	Part No.	Description	Package
DC-DC	BLL2740	42V/3.5A, CC/CV, Buck DCDC	SOP8
	BL9362	60V, 0.6A, Step-Down DC/DC Converter	SOT23-6
LDO	BL8078Q	40V/150mA Low Consumption Voltage Regulator	SOP8
	MEQ6310	6V 150mA Low Drop and Low Noise Voltage Regulators	SOT23-5
MOSFET	BLQM07N06	60V 95A Trench NMOS	TO252
	BLQM08N06	60V 80A Trench NMOS	TO252
Op-Amp	MEQ2902/ MEQ2904	36V 2/4-Channel Operational Amplifier	SOP8
CAN (2025)	±58V Withstand Voltage, CAN FD Transceiver, Support 3~5.5V MCU, With System Power Control (INH) And Wake-up Function		
Gate Driver (2025)	High-Side and Low-Side Driver		

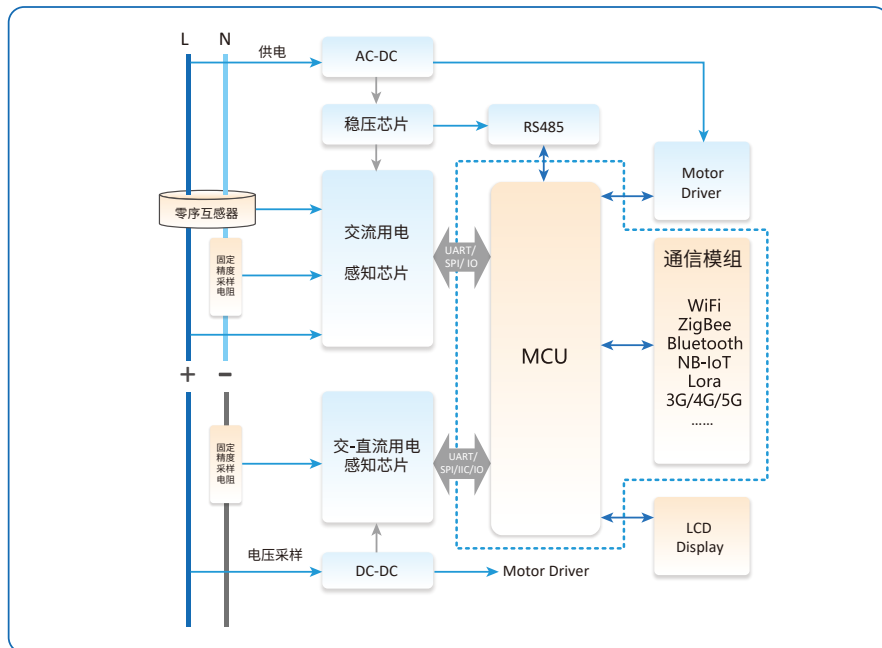
Energy Metering (智能电表)



各电表方案选型表

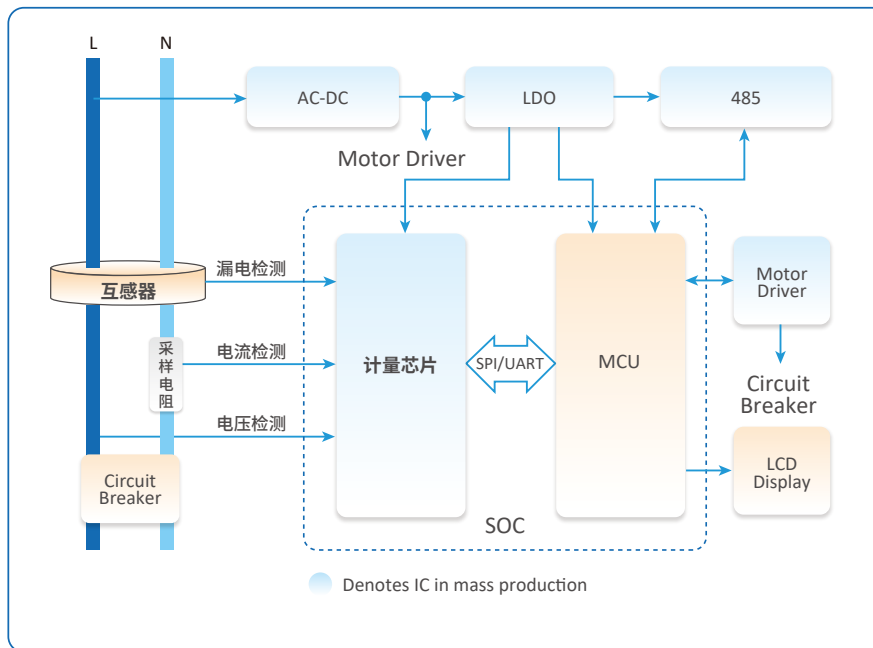
电表方案类型	计量产品	液晶驱动	数字隔离器	AC-DC	通讯接口	LDO	DC-DC	Relay Driver	EERPOM
单相多功能	RN8209C	BL55072A	BL714X	-	BL3085 BL1571	BL78L05D BL8062 BL9153	BL9342	BL8023	BL24C256
三相多功能	RN8302B	BL55080	BL716X	-	BL3085 BL1571V	BL78L05D BL8062	BL9362	BL8023	BL24C512 BL24CM1A
单相导轨表	BL0930F	BL55073	-	BL8812B	BL3085	BL78L05D BL9153	-	-	BL24CX
三相导轨表	BL6552	BL55072A	-	BL8802B	BL3085	BL78L05D BL9153	-	-	BL24CX

Energy Monitoring (电能监测)



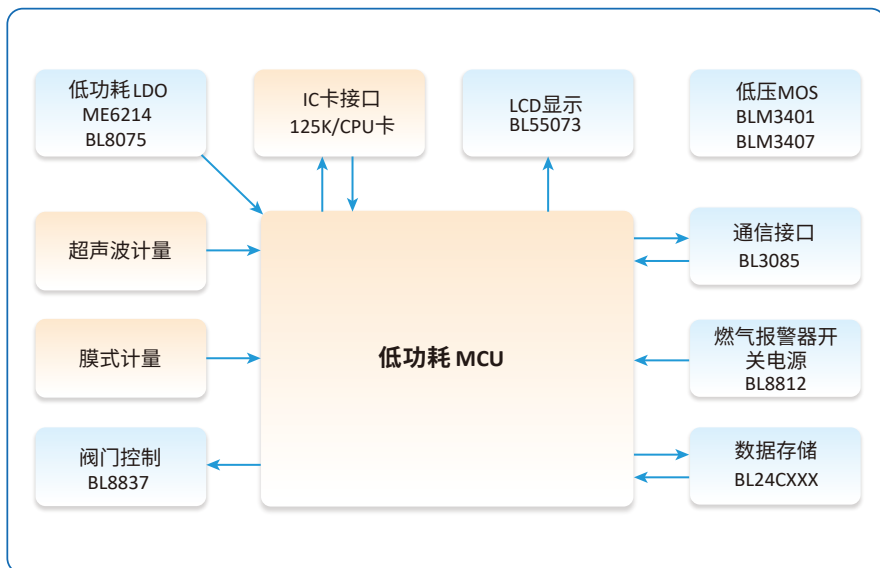
Type	Part No.	Description	Package
AC Power Sensing Chip	BL0937B	1 Channel AC Power Sensing Chip	SOP8
	BL0939	2 Channel AC Power Sensing Chip	SOP16 SSOP20
	BL0940	1 Channel AC Power Sensing Chip Up to 105°C Environment Temperature	TSSOP14
	BL0942	1 Channel AC Power Sensing Chip	SSOP10 TSSOP14
	BL0910	10 Channel AC Power Sensing Chip	LQFP48
DC Power Sensing Chip	BL0973	1 Channel DC Power Sensing Chip	TSSOP28
	BL0906	6 Channel DC Power Sensing Chip	LQFP32
AC-DC	BL8812	12W With Internal 650V Power MOSFET	SOP7
	BL8851	Max. 60W With External Power MOSFET	SOT23-6
Motor Driver	BL5612	1.5A 3.0~25V H-Bridge Driver	SOP8
	BL5617	3.0A 3.0~25V H-Bridge Driver	SOP8
RS485	BL3085	RS485 Interface	SOP8
LDO	BL9162	5.5V 300mA LDO	DFN1x1 SOT23-5
	BL78L05D	42V 100mA Voltage Regulators	SOT89-3

Smart MCB (智能微型断路器)

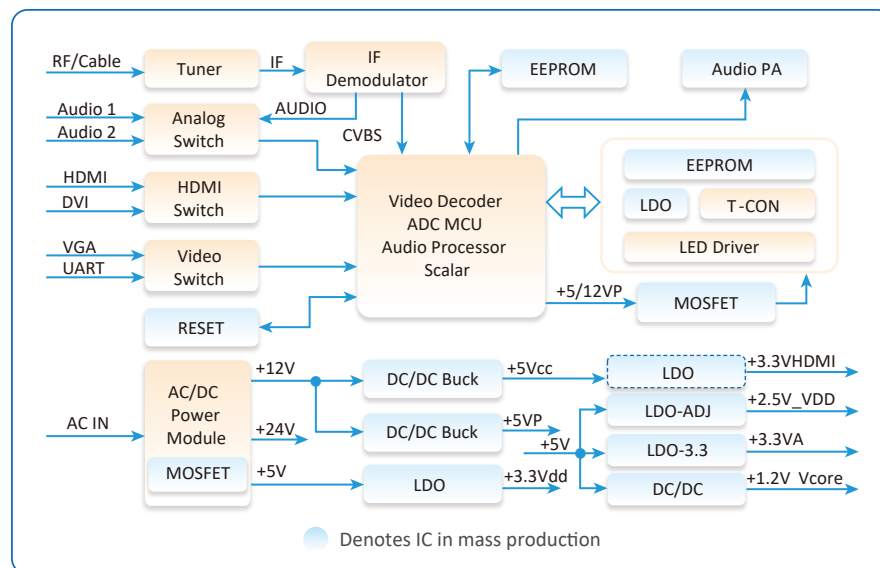


Type	Part No.	Description	Package
Energy Measurement ASIC	BL0939	Single Phase Multifunction, Calibration Free	SOP16 SSOP20
	BL0942	Single Phase Multifunction, Calibration Free	SSOP10 SOP14
	BL6552	Three Phase Multifunction	QFN36
Energy Measurement SOC	BL66A0242	Single Phase Multifunction With ARM-M0, RTC	LQFP64(7x7)
Interface Circuit	BL3085 /N	18KV ESD Protected, Fail Safe, 500KHz	SOP8
	BL8802B	Built-in 1000V Power MOSFET, PSR	DIP7
AC-DC	BL8812	Built-in 650V Power MOSFET, PSR	SOP7
	BL8851	External MOSFET, SSR, Max. 60W	SOT23-6
LDO	BL9153	40V / 500mA LDO	SOT89-3
	BL9161G	5.5V / 300mA, Iq 2.5µA	SOT23-3 SOT23-5
Motor Driver	BL5617	25V 3.0A with OTP and OCP	SOP8
	BL5616	25V 1.5A with OTP and OCP	SOP8

Gas Meter (燃气表)



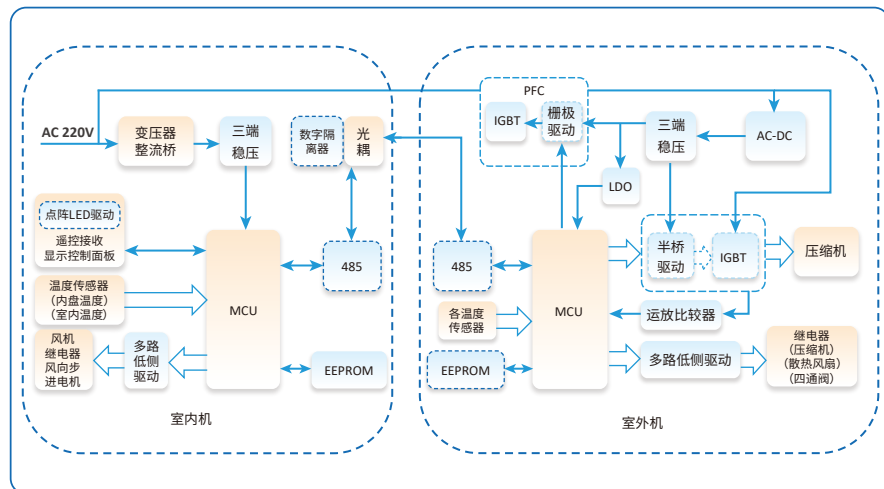
LCD TV (平板电视)



Type	Part No.	Description	Package
Low power LDO	BL8075	16V 10μA 500mA LDO	SOT89-3 SOT23-5
	ME6214	18V 1μA 300mA LDO	SOT89-3 SOT23-5 SOT23-3
AC-DC	BL8812B	12W With Internal 650V Power MOSFET	SOP7
Motor Driver	SA8837	1.5A 3.0~25V H-Bridge Driver	SOP8
RS485	BL3085	RS485 Interface	SOP8
LCD Driver	BL55073	4comx21seg LCD Driver	TSSOP28
MOSFET	BLM3401	-30V/-4.2A, 45mΩ P-MOSFET	SOT23
	BLM3407	-30V/-5.1A, 48mΩ P-MOSFET	SOT23

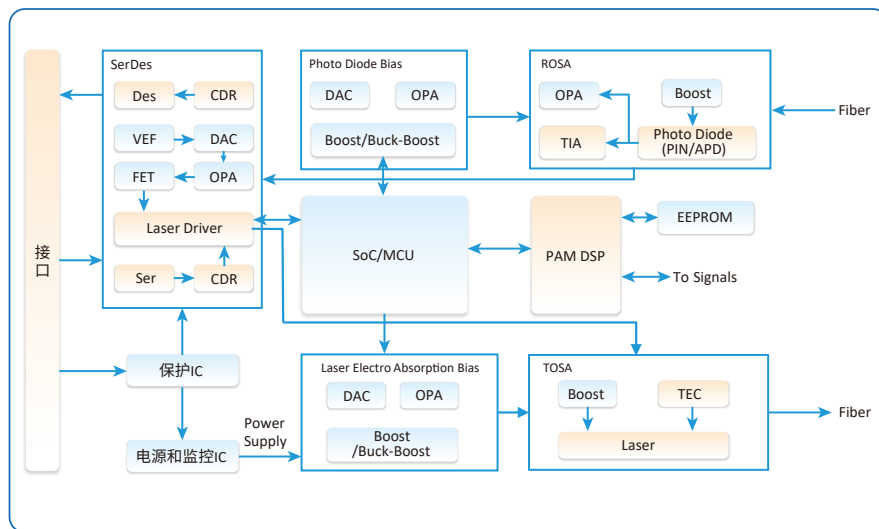
Type	Part No.	Description	Package
LDO	BL1117	1A Bipolar LDO	SOT223 TO252
	BL1118	Dual 1A Bipolar LDO	ESOP8
	BL9110/8071G	1A/1.5A CMOS LDO	SOT223 TO252
	BL1084/1085	5A/3A Bipolar LDO	TO252 TO263
	BL9161G	5.5V / 300mA, Iq 2.5μA	SOT23-3 SOT23-5
	BL8568	500mA CMOS LDO	SOT23-5
DC-DC Sync Buck	BL8028	1.5A /6V 2MHz DC-DC Sync	SOT23-5 DFN1x1-6L
	BL8032G	2A /18V Synchronous Buck	SOT23-6
	BL8033	3A /18V Sync DC/DC Step-Down	SOT23-6
Reset	BL8034	4A /16V Sync DC/DC Step-Down	ESOP8
	BL8518	Voltage Detector, Reset	SOT23-3 SOT23-5
EEPROM	BL24CXXX	2K~2048Kbit EEPROM	DIP8 SOP8 TSSOP8 UDFN8 TSOT23-5 WL CSP4
MOSFET	BLM3407	-30V/-5.1A, 48mΩ P-MOSFET	SOT23-3
	BLM3401	-30V/-4.2A, 45mΩ P-MOSFET	SOT23-3
	BLM9435	-30V/-5.1A, 48mΩ P-MOSFET	SOP8
	BL15N50	500V/15A, 290mΩ N-MOSFET	TO220 TO220F
	BL20N50	500V/20A, 230mΩ N-MOSFET	TO220 TO220F
	BLS65R380	650V/11A, 330mΩ N-MOSFET	TO252
BL570R420	700V/11A, 350mΩ N-MOSFET	TO252	

Household Air Conditioner (家用空调)



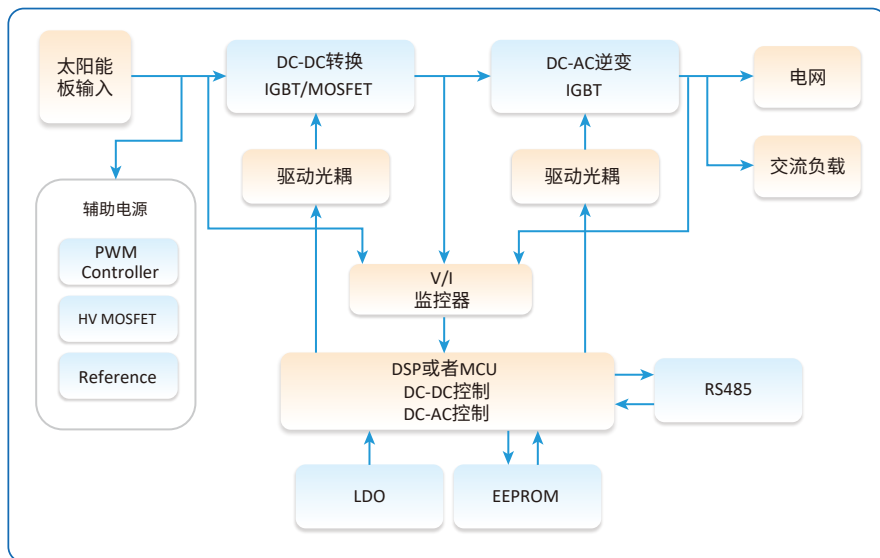
Type	Part No.	Description	Package
LDO	BL1117	1A Low Dropout Voltage Regulator	SOT223 TO252
Three Terminal	BL7805	35V 1.2A Voltage Regulator	TO220
EEPROM	BL24CXXF	2K~2048K EEPROM	SOP8 TSSOP8 DFN2x2-8L
485 Transceiver	BL3085(147)	500kbps 15KV ESD Protected	SOP8
Digital Isolator	BL712X	3.75KV Dual Channel Digital Isolator	SOP8
	BL714X	5KV Quad Channel Digital Isolator	SOIC16W
Shunt Regulator	BL431	36V 100mA Shunt Regulator	SOT23-3 SOT89-3 TO92
OPAMP	BL371X/BL370X	5.5V 12MHz/6MHz Rail to Rail OPAMP	SC70-5 SOT23-5 SOP8 MSOP8 SOP14
Comparator	ME393	36V Dual Comparator	SOP8
Low Side Driver	ULN2003G	50V 500mA Darlingtion Transistor Arrays	SOP16
LED Driver	ME7300/7400/7500	Dot Matrix LED Driver	EQSOP28 SOP32
Gate Driver	BL2601A	600V +0.3A/-0.6A Gate Driver	SOP8
	BLG10T65FDL	650V 10A IGBT	TO252
	BLG15T65FDB	650V 15A IGBT	TO220 TO220F TO263
	BLG20T65FDLA	650V 20A IGBT	TO220 TO220F TO263
	BLG30T65FUK	650V 30A IGBT	TO220F TO247 TO263 TO3PF
	BLG40T65FUK	650V 40A IGBT	TO247 TO3P

Optical Communication (光通讯)

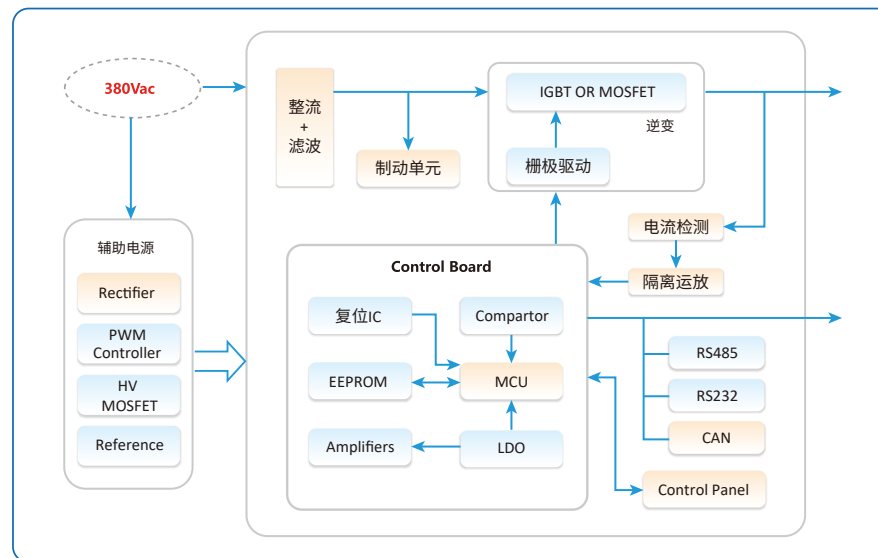


Type	Part No.	Description	Package
Optical Transceiver SOC	BL32F32X2	32bit Core, 32K Flash, 2K SRAM, ADC, DAC x2/4CH, TPS, I ² C, UART, PLUX4	QFN20 QFN24 QFN32
	BL32F128X2	32bit Core, 64/128K Flash, 8K/16K SRAM, ADC, DAC x2/4CH, TPS, I ² C, UART, PLUX16	QFN32 QFN40
EEPROM	BL24CXXA	Two-wire Serial, 2K~2048K EEPROM	SOP8 TSSOP8 DFN2x2-8L
	BL25CMXA	Serial Peripheral Interface, 1M/2M EEPROM	DIP8 SOP8 WLCSP8
Analog Switch	BL1551B	2.7Ω 350MHz Low-Voltage Analog Switch	SC70-6
	BL1561	4Ω, 400MHz, SPST Analog Switch	SC70-5
Operational Amplifier	BL321LFR	1MHZ CMOS Rail-to-Rail IO Operational Amplifier	SOT23-5
	BL3702	11MHZ CMOS Rail-to-Rail IO Operational Amplifier	SOP8
DC/DC	BL8028/ME3109/ME3114	Asynchronous Boost PWM/PFM	SOT23-5 DFN
LDO	BL8079AG/BL9161G	High PSRR, Fast Response, Low Dropout	SOT23-5 DFN
Load Switch	BL2556	70mohm Adjustable USB Load Current Switch	SOT23-5

Photovoltaic (光伏)



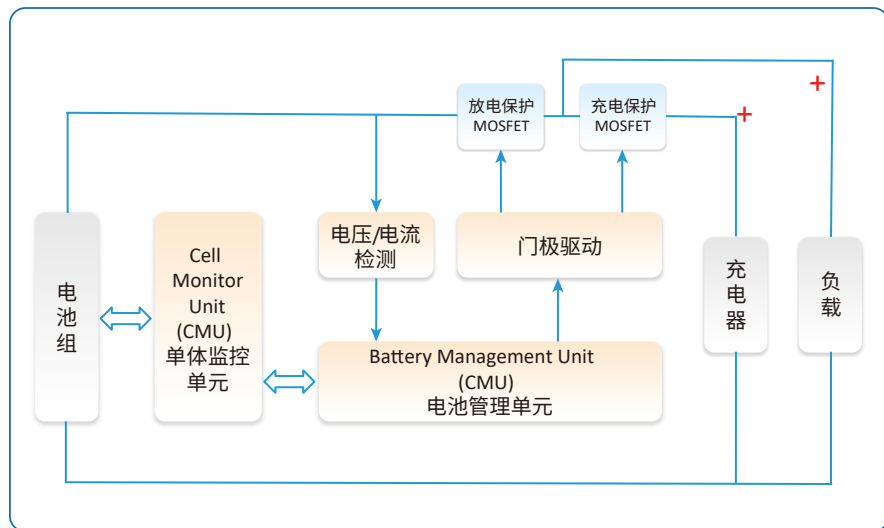
Frequency Converter (变频器)



Type	Part No.	Description	Package
LDO	BL1117	12V/1A Bipolar Linear Regulator	SOT223 TO252
EEPROM	BL24CXXXA	2K~2048K EEPROM	SOP8 TSSOP8 DFN2x2-8L TSOT23-5
Reference	BL431	Adjustable Precision Shunt Regulators	TO92 SOT23 SOT89-3
HV MOSFET	BL3N150	1500V/3A 5.8Ω Typ HV MOSFET	TO247 TO3PF
	BL4N150	1500V/4A 4.0Ω Typ HV MOSFET	TO247 TO3PF
MOSFET	BLP02N08	85V/180A 1.6mΩ Typ LV MOSFET	TO263 TOLL8
	BLP03N08	85V/180A 2.3mΩ Typ LV MOSFET	TO263
	BLP023N10	100V/180A 1.8mΩ Typ LV MOSFET	TO263 TOLL8
	BLP03N10	100V/180A 2.7mΩ Typ LV MOSFET	TO263 TOLL8
IGBT	BLG40T120	1200V 40A Discrete IGBT	TO247
	BLG40T65	650V 40A Discrete IGBT	TO247 TO3PN
	BLG50T65	650V 50A Discrete IGBT	TO247 TO3PN
	BLG60T65	650V 60A Discrete IGBT	TO247 TO3PN
	BLG75T65	650V 75A Discrete IGBT	TO247 TO3PN
	BLG80T65	650V 80A Discrete IGBT	TO247 TO3PN
RS485	BL3085(I47)	±15kV ESD-Protected, 500kbps, Fail-Safe, RS-485 Transceiver	SOP8
	BL1590	±15kV ESD-Protected, 16Mbps, Fail-Safe, RS-485 Transceiver	SOP8

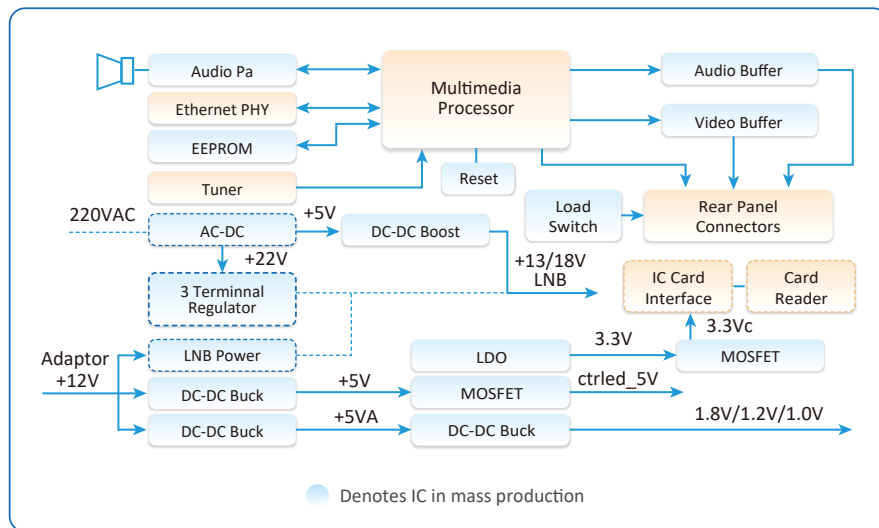
Type	Part No.	Description	Package
LDO	BL1117	12V/1A Bipolar Linear Regulator	SOT223 TO252
RESET IC	BL8518	Voltage Detector, Reset	SOT23-3 SOT23-5
EEPROM	BL24CXXXA	2K~2048K EEPROM	SOP8 TSSOP8 DFN2x2-8L TSOT23-5
Op Amplifiers	BL358	Low Power Dual Op Amp	SOP8
PWM Controller	ME3843	Current-Mode PWM Controller	SOP8
	ME393	Dual/Quad Differential Comparators	SOP8 SOP14
ME339			
Reference	BL431	Adjustable Precision Shunt Regulators	TO92 SOT23 SOT89-3
MOSFET	BL3N150	1500V/3A 5.8Ω Typ HV MOSFET	TO247 TO3PF
	BL4N150	1500V/4A 4.0Ω Typ HV MOSFET	TO247 TO3PF
	Others Above 900V	
IGBT	BLG40T120FDL5	1200V 40A Discrete IGBT	TO247
	BLG40T65	650V 40A /15A Discrete IGBT	TO247 TO3PN
	BLG15T65		
RS232	BL13232	3V to 5.5V, 250kbps, RS-232 Transceivers	SOP16 TSSOP16
RS485	BL3085(I47)	±15kV ESD-Protected, 500kbps, Fail-Safe, RS-485 Transceiver	SOP8
	BL1590	±15kV ESD-Protected, 16Mbps, Fail-Safe, RS-485 Transceiver	SOP8

Li-ion Battery Protection (锂电保护)



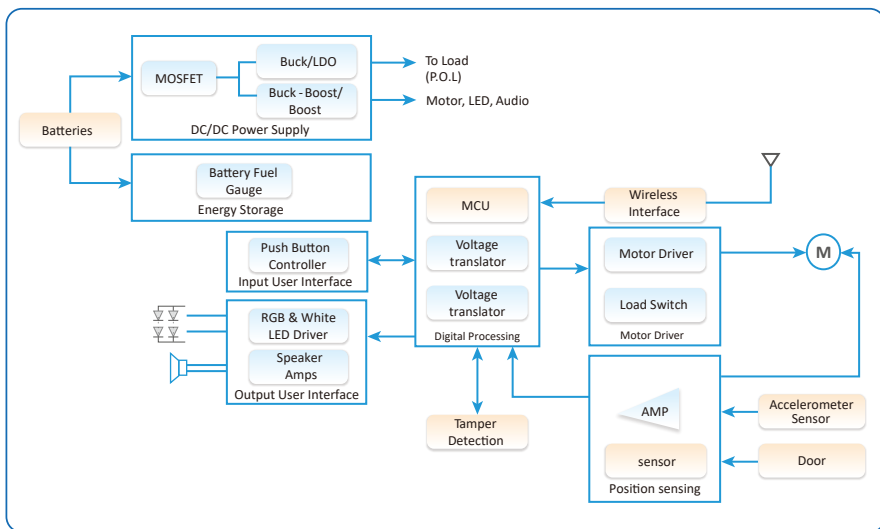
Type	Part No.	Description	Package
Li-ion Battery Protection	ME4213	3/4/5 Series Li-ion Battery Protection IC	SOT23-6
	ME4212	2 Series Li-ion Battery Protection IC	SOT23-6
SGT MOSFET	BLP01N08	80V/1.0mΩ Typ SGT MOSFET	TOLL8
	BLP02N08	85V/1.6mΩ Typ SGT MOSFET	TOLL8
	BLP03N08	85V/2.3mΩ Typ SGT MOSFET	TO220 TO263 TO247 TOLL8
	BLP04N08	85V/3.0mΩ Typ SGT MOSFET	TO220 TO263
	BLP05N08	85V/4.4mΩ Typ SGT MOSFET	TO220 TO263 PDFN5×6
	BLP012N08	80V/1.1mΩ Typ SGT MOSFET	TOLL8
	BLP014N10	100V/1.25mΩ Typ SGT MOSFET	TOLL8
	BLP023N10	100V/1.8mΩ Typ SGT MOSFET	TO263 TOLL8
	BLP028N10	100V/2.4mΩ Typ SGT MOSFET	TO263
	BLP03N10	100V/2.7mΩ Typ SGT MOSFET	TO263 TOLL8
	BLP04N10	100V/3.3mΩ Typ SGT MOSFET	TO263
	BLP045N10	100V/3.6mΩ Typ SGT MOSFET	TO220 TO263
	BLP04N11	110V/3.2mΩ Typ SGT MOSFET	TO263
	BLP038N15	150V/2.7mΩ Typ SGT MOSFET	TOLL8

STB (机顶盒)



Type	Part No.	Description	Package
Linear Voltage Regulator	BL1117	1A Bipolar LDO	SOT223 TO252
	BL9110	1A CMOS LDO	SC723 TO252
3 Terminal Regulator	BL317B	1.5A Bipolar Adjustable	TO220 SOT223 TO252
	BL8028	1.5A /6V 1.5MHz DC-DC Synchronous Buck PWM/PFM	SOT23-5
DC-DC Buck Converter	BL8032G	2A /18V Synchronous Buck	SOT23-6
	BL8039	2A/5.5V DC/DC Synchronous Buck	SOP8
	BL8033	3A /18V Synchronous Buck	SOT23-6
	BL8034	4A /16V Synchronous Buck	ESOP8
Reset	BL8518	Voltage Detector, Reset	SOT23-3 SOT23-5
EEPROM	BL24CXXX	2K~2048Kbit EEPROM	DIP8 SOP8 TSSOP8 UDFN8 TSOT23-5 WLCSP4
Audio	BL6281G	1.7W Class AB	MSOP8 SOP8
	BL6306	2.6W Class D	MSOP8
Analog Switch	BL1551B	2.7Ω 300MHz SPDT	SC70-6
Video Buffer	BL1511/B	1 channel 5th Order SDTV Video Filter	SC70-5
MOSFET	BLM2301	20V/3.0A, 46mΩ P-MOSFET	SOT23-3
	BLM3401	-30V/-4.2A, 45mΩ P-MOSFET	SOT23-3
AC-DC	ME8115	15W Current Mode PWM Power Switch	DIP7

Wireless Smart Lock (无线智能锁)



Type	Part No.	Description	Package
Buck	ME3107	6V/0.7μA/200mA Synchronous Buck	SOT23-5
	BL8032G/BL8032S/BLL2452S	16V/2A Synchronous Buck	SOT23-6
	BL8033	16V/3A Synchronous Buck	SOT23-6
LDO	BL8072	18V/3μA /2A/High PSRR LDO	SOT223 TO252
	BL8062	18V/3μA /250mA/Low IQ LDO	SOT23-3 SOT89-3
	ME6231	18V/1.8μA /500mA/Low IQ LDO	SOT23-3 SOT89-3 DFN1.2x1.6-4L SOT23-5
	BL8079AG	0.6A ADJ, With 0.8V FB Voltage	SOT23-5
Driver	SA8837	12V 1.8A H-Bridge Motor Driver	SOP8
EEPROM	BL24CXXX	2K~2048Kbit EEPROM	SOP8 TSSOP8 PDIP8 UDFN8 SOT23-5 TSOT23-5
Load Switch	ME1501/BL2556/ME1502	5.5V/2.1A/70mohm Load Switch	SOT23-5
AMP	BL3601/BL3602	550nA Low Iq OPAMP	SOT23-5 SOP8
	BL321L/BL358L	5.5V/1MHz/RR0 OPAMP	SOT23-5 SOP8
Speak Amp.	BL6306	2.6W/Class D Audio Power Amplifier	SOP8 MSOP8
Voltage Det.	ME2803/BL8506	Low Iq Voltage Detector	SOT23-3
N-MOSFET	BLM30N06L	60V/30mohm MOSFET	TO252
P-MOSFET	BLM2301	-20V/45mohm MOSFET	SOT23-3

HDCS 上海贝岭
HUADA SEMICONDUCTOR SHANGHAI BELLING

上海贝岭简介 Introduction of Shanghai Belling

- 上海贝岭股份有限公司于 1988 年设立，2008 年起转型为一家集成电路设计企业，是国内集成电路行业第一家中外合资企业，也是国内集成电路行业第一家上市公司。2009 年，中国电子成为公司控股股东；2015 年 7 月，华大半导体成为公司控股股东，公司实际控制人仍为中国电子。
- 上海贝岭主要从事集成电路设计，专注于模拟及功率芯片的设计及开发。公司集成电路产品业务聚焦于模拟集成电路产品领域，产品涵盖电源管理、信号链产品和功率器件产品，主要应用于汽车电子、能效监测、工控储能、大家电、网络与智能终端及泛工业等市场领域，致力于为客户提供高性能和高可靠性的模拟和功率集成电路产品解决方案。
- 公司对生产经营和质量保障拥有丰富的实践经验，拥有运营保障核心竞争力。公司倡导绿色环保的发展观念，2010 年开始，公司主动升级产品环保标准，公司产品全部满足 ROHS、无卤、REACH 等环保标准。
- 上海贝岭有深圳市锐能微科技有限公司、南京微盟电子有限公司、深圳市矽塔科技有限公司、珠海市横琴贝岭半导体有限公司、香港海华有限公司 5 个子公司，其中上海贝岭本部、深圳锐能微、南京微盟、矽塔科技为高新技术企业。深圳锐能微为国家级专精特新“小巨人”企业，矽塔科技为深圳市专精特新企业，南京微盟为江苏省专精特新中小企业。截至 2024 年 12 月 31 日，公司（含子公司）累计拥有有效专利数 363 项，其中发明专利 317 项；累计拥有有效集成电路版图设计专有权 344 项；软件著作权 99 项。
- 公司坚持服务国家战略，着力攻克核心技术，不断增强企业竞争力，朝着“致力于成为中国一流的集成电路产品和应用方案供应商，打造员工实现职业梦想的平台”的愿景不断努力。

Index of Part Number-1 型号索引 1

BL0906	20	BL10N70	45	BL2022	30	BL24SA64C	29	BL30N65	44	BL4056C	12	BL7120AH	22
BL0910	20	BL10N70A	45	BL2024	30	BL24SA64D	29	BL317B	11	BL40N25	43	BL7120AL	22
BL0921	20	BL10N80	45	BL2026	30	BL24SA64H	30	BL321	25	BL40N30	43	BL7120BH	22
BL0930F	20	BL1117	11	BL2026E	30	BL2556	15	BL321L	25	BL4N150	45	BL7120BL	22
BL0937B	20	BL1117C	11	BL20N50	43	BL25C02A	30	BL324	25	BL4N60A	44	BL7121AH	22
BL0939	20	BL1118	11	BL20N60	44	BL25C04A	30	BL324L	25	BL4N65	44	BL7121AL	22
BL0940	20	BL113	27	BL20N65	44	BL25C08A	30	BL32F3202NP	22	BL4N65A	44	BL7121BH	22
BL0942	20	BL11N40	43	BL2113	28	BL25C128A	30	BL32F3210	21	BL4N80	45	BL7121BL	22
BL0945	20	BL12N50	43	BL23M1610	21	BL25C16A	30	BL32F3222NQ	22	BL4N80A	45	BL7122AH	22
BL0947	20	BL12N60	44	BL23N50	44	BL25C256A	30	BL32F3222NR	22	BL4N90	45	BL7122AL	22
BL0971	20	BL12N65	44	BL24C02A	29	BL25C32A	30	BL32F3232NQ	22	BL50N30	43	BL7122BH	22
BL0973	20	BL12N65A	44	BL24C02F	29	BL25C64A	30	BL32F3232NR	22	BL5118	30	BL7122BL	22
BL1022	32	BL13232E	24	BL24C02H	29	BL25CM1A	30	BL32F5121	22	BL5372	28	BL7140SH	23
BL1031	32	BL13N25	43	BL24C04A	29	BL25CM2A	30	BL32F5122	22	BL55066B	21	BL7140SL	23
BL1032	32	BL13N30	43	BL24C04F	29	BL25N40	43	BL33N25	43	BL55072A	21	BL7140WH	22
BL1033	32	BL13N50	43	BL24C08A	29	BL25N50	44	BL34C02A	30	BL55073	21	BL7140WL	22
BL1040	32	BL15102	24	BL24C08F	29	BL25N60	44	BL34C04A	30	BL55077	21	BL7141SH	23
BL1045	32	BL1511B	24	BL24C128A	29	BL25N65	44	BL34TS04A	30	BL55080	21	BL7141SL	23
BL1047	32	BL1521	27	BL24C128F	29	BL25WQ05A	31	BL358	25	BL55088	21	BL7141WH	22
BL1063	32	BL1522	27	BL24C16A	29	BL25WQ10A	31	BL358H	25	BL5612	27	BL7141WL	22
BL1064	32	BL1530	27	BL24C16F	29	BL25WQ20A	31	BL358L	25	BL5616	27	BL7142SH	23
BL1065	32	BL1532	27	BL24C256A	29	BL25WQ40A	31	BL3601	26	BL5617	27	BL7142SL	23
BL1070	32	BL1551B	27	BL24C256F	29	BL2601A	28	BL3602	26	BL5910	28	BL7142WH	23
BL1080	32	BL1555	27	BL24C32A	29	BL2N100	45	BL3604	26	BL5912	28	BL7142WL	23
BL1081	32	BL1557	27	BL24C32F	29	BL2N150	45	BL3701	25	BL59N30	43	BL7160SH	23
BL1082	32	BL1558	27	BL24C512A	29	BL2N60	44	BL3702	25	BL5N50	43	BL7160SL	23
BL1083	32	BL1559	27	BL24C512B	29	BL2N65	44	BL3704	25	BL5N50A	43	BL7160WH	23
BL1084	11	BL1561	27	BL24C64A	29	BL3085(I47)	24	BL3711	25	BL60N25	43	BL7160WL	23
BL1085	11	BL1585B	24	BL24C64F	29	BL3085(I47)-T	24	BL3712	25	BL6208	27	BL7161SH	23
BL1086	32	BL1587	24	BL24CM1A	29	BL3085(I4B)	24	BL3714	25	BL6281G	26	BL7161SL	23
BL1087	32	BL1590	24	BL24CM2A	29	BL3085A(H)	24	BL38199	26	BL6306	26	BL7161WH	23
BL1088	32	BL15N25	43	BL24CS32	29	BL3085B	24	BL3891	26	BL6503E	20	BL7161WL	23
BL1090	32	BL15N50	43	BL24SA128B	29	BL3085N(I56)	24	BL3N100	45	BL6513C	20	BL7162SH	23
BL10N40	43	BL18N20	43	BL24SA128D	29	BL3085N(I56)-T	24	BL3N100E	45	BL6523GX	20	BL7162SL	23
BL10N60	44	BL1909	27	BL24SA128H	30	BL3090	24	BL3N120	45	BL6552	20	BL7162WH	23
BL10N60A	44	BL19N40	43	BL24SA256B	30	BL30N30	43	BL3N150	45	BL66A0242	21	BL7162WL	23
BL10N65	44	BL1N60S	44	BL24SA64	29	BL30N50	44	BL3N90	45	BL6N120	45	BL7163SH	23
BL10N65A	44	BL1N65	44	BL24SA64B	29	BL30N60	44	BL3N90E	45	BL6N40	43	BL7163SL	23

Index of Part Number-2 型号索引 2

BL7163WH	23	BL8067	6	BL8574	12	BLC120N120-F/ZA	49	BLG40T120FDL5-F	47	BLL2683	2	BLM07N20-C	40
BL7163WL	23	BL8067A	6	BL8576	12	BLC13N120-ZA	49	BLG40T120FL5-F	47	BLL2683A	2	BLM08N06-D	39
BL7166SL	23	BL8071	6	BL8802B	16	BLC16N120-ZA	49	BLG40T120FUH-F	47	BLL2730	2	BLM08N06-P	39
BL7166WL	23	BL8071G	6	BL8812B	16	BLC1K0N170-F	49	BLG40T120FUK5-F	47	BLL2731	2	BLM08N10-B	40
BL7385	24	BL8072	7	BL8851	16	BLC20J120-F	49	BLG40T120FUK-F	47	BLL2740	2	BLM08N10-P	40
BL7390	24	BL8073	6	BL8N100	45	BLC20J65-FD/F	49	BLG40T65FDK-F/W	46	BLL2741	2	BLM08N68-D	39
BL78L05D	11	BL8073G	6	BL8N50	43	BLC32N120-F/ZA	49	BLG40T65FDL-W/F/K	46	BLL2742	2	BLM08N68-P	39
BL78L05G	11	BL8074	6	BL8N60	44	BLC45N65-F/ZA	49	BLG40T65FUK-W/F/K	46	BLL2745	2	BLM08P02-E	40
BL7N60A	44	BL8074G	7	BL8N65	44	BLC60N120-F/ZA	49	BLG40T65FUL-W/F/K	46	BLL2748	2	BLM08P02-R	40
BL7N65	44	BL8075	7	BL90N25	43	BLCMF011N120DG2	49	BLG50T65FDKA-F	47	BLL2749	2	BLM09N68-D	39
BL7N65A	44	BL8077	7	BL9110	8	BLG05T65FDL7-D	46	BLG50T65FDKA-Z	47	BLL2752	2	BLM09N68-P	39
BL7N70	45	BL8078	7	BL9152	8	BLG10T65FDB-A/A1/B/P	46	BLG50T65FDLA-W/F/K	47	BLL2770	2	BLM10N20-F	40
BL8002	26	BL8078Q	8	BL9153	8	BLG10T65FDL-A/B/F	46	BLG50T65FKA-F	47	BLL2771	2	BLM10P03-D	41
BL8023C	21	BL8079AG	7	BL9157	8	BLG10T65FUL-D	46	BLG50T65FLA-F	47	BLL2783	2	BLM10P03-E	41
BL8023D	21	BL8079G	7	BL9161G	8	BLG15T65FDB-A/B/P	46	BLG50T65FUKA-F	47	BLL3330	4	BLM10P03-Q	41
BL8023F	21	BL80N20	43	BL9162	8	BLG15T65FUA-A/P/B	46	BLG60T65FDK-W/F/K	47	BLL3330C	4	BLM10P03-R	41
BL8023K	21	BL8202A	28	BL9165	8	BLG15T65FUB-A/B/P	46	BLG60T65FDL-W/F/K	47	BLL6028	12	BLM11N15-P	40
BL8028	1	BL8203A	28	BL9193	8	BLG15T65FUL-A/B/P	46	BLG60T65FUL-W/F/K	47	BLL6113C	12	BLM12N06-D	39
BL8032	1	BL8310	27	BL9315	2	BLG15T65FULB-A/B/P/F	46	BLG75T65FDK-F	47	BLM024N03-D	38	BLM12N06L-D	39
BL8032G	1	BL8503	7	BL9342	2	BLG200T120_低频	47	BLG75T65FDL-F	47	BLM03N03-D	38	BLM12N06-P	39
BL8032GT	1	BL8504	15	BL9362	3	BLG200T120_高频	47	BLG75T65FUK-F	47	BLM03N06-P	39	BLM12N08-B	39
BL8032S	1	BL8506	15	BL9366	3	BLG20T65FBL-B	46	BLG80T65FDH7-F	47	BLM04N03-D	38	BLM12N08-D	39
BL8032TT	1	BL8518	15	BL9368	3	BLG20T65FDLA-A/P/F/B	46	BLG80T65FDK7-F	47	BLM04N06-B	39	BLM12N08-P	39
BL8033	1	BL8531	4	BL93C46A	30	BLG20T65FDLB-A/P/F/B	46	BLG80T65FDL7-F	47	BLM04N06-P	39	BLM12P03-R	41
BL8034	1	BL8531C	4	BL93C56A	30	BLG20T65FULA-A/P/F/B	46	BLGMF200T120FAUS4	48	BLM04N08-B	39	BLM12P03-U	41
BL8036	1	BL8536	4	BL93C66A	30	BLG25T120FDL5-F	47	BLGMF600T120FCDS4	48	BLM04N08-P	39	BLM14N08-D	39
BL8036T	1	BL8552	7	BL93C76A	30	BLG3040A-B (工业级)	48	BLL1575	8	BLM055N04-D	38	BLM14N08-P	39
BL8037	1	BL8555	7	BL93C86A	30	BLG3040A-I (工业级)	48	BLL1912	14	BLM05N03-D	38	BLM15N06-D	39
BL8038	1	BL8558	7	BL9N20	43	BLG3040-B (车规级)	48	BLL1970	14	BLM06N08-B	39	BLM15N06L-D	38
BL8039	1	BL8563	6	BL9N25	43	BLG3040-B (工业级)	48	BLL2206	1	BLM06N08-P	39	BLM15N06-P	39
BL8042C	4	BL8563G	6	BL9N50	43	BLG3040-D (车规级)	48	BLL2310C	1	BLM06N10-B	40	BLM15P04-D	41
BL8042D	4	BL8565	6	BL9N90	45	BLG3040-D (工业级)	48	BLL2311C	1	BLM06N10-P	40	BLM16N10-D	40
BL8060	7	BL8565G	6	BLAD14Q125	32	BLG3040-I (工业级)	48	BLL2452S	1	BLM06N15-F	40	BLM16N10-P	40
BL8061	7	BL8566	8	BLAD14Q80	32	BLG30T65FDH-A/B/F/K/P	46	BLL2453	1	BLM075N03-D	38	BLM22N10-D	40
BL8062	7	BL8568	6	BLAD16D125	32	BLG30T65FDK A/F/B/K/P	46	BLL2620	2	BLM075N04-D	38	BLM22N10-P	40
BL8063	6	BL8568G	6	BLAD16D80	32	BLG30T65FDL-A/F/B/K/P	46	BLL2631	1	BLM07N06-B	39	BLM22N20-F	40
BL8063G	6	BL8569	8	BLAD16Q125	32	BLG40T120FDH-F	47	BLL2681	2	BLM07N06-D	39	BLM22N20-P	40
BL8064	7	BL8573	12	BLAD16Q80	32	BLG40T120FDK5-F	47	BLL2682	2	BLM07N06-P	39	BLM2301	40

Index of Part Number-3 型号索引 3

BLM2302	38	BLM9435	41	BLP02N11-T	37	BLP042N10G-B	36	BLP065N10GL-P	36	BLP160N10L-N	35	BLQM15N06L-D	39
BLM2303	41	BLP012N08-T	34	BLP032N06-D	33	BLP042N10G-D	36	BLP065N10GL-Q	36	BLP160N10L-Q	35	BLQM30N06L-R	38
BLM2305	40	BLP014N08-T	34	BLP032N06-Q	33	BLP042N10G-P	36	BLP06N08G-B	33	BLP160N10L-S	35	BLQP065N08G-D	34
BLM30DN06L-E	38	BLP014N10-T	37	BLP032N08-T	34	BLP042N10G-Q	36	BLP06N08G-P	33	BLP20N10L-D	35	BLR120	31
BLM30N06L-D	38	BLP016N04LC-Q	33	BLP032N10-T	36	BLP042N15J-B	38	BLP075N10G-B	36	BLP20N10L-E	35	BLR125	31
BLM30N10-D	40	BLP01N04LC-Q	33	BLP032N14-T	37	BLP042N15J-F	38	BLP075N10G-D	35	BLP20N10L-Q	35	BLR133	31
BLM30N10L-D	40	BLP01N08-T	34	BLP036N08-B	34	BLP042N15J-P	37	BLP075N10GL-D	36	BLQ3N100E	45	BLR140	31
BLM30N10L-P	40	BLP021N08-B	34	BLP036N08-D	33	BLP045N10-B	36	BLP075N10GL-Q	36	BLQ3N120	45	BLR150	31
BLM30N10-P	40	BLP021N08-P	34	BLP036N08-P	33	BLP045N10-P	36	BLP075N10G-P	35	BLQC13N120-Z	49	BLR220	31
BLM30N20-P	40	BLP021N10-T	37	BLP036N08-Q	33	BLP04N08-B	34	BLP075N10G-Q	35	BLQC160N120-Z/BG	49	BLR225	31
BLM30P04-D	41	BLP022N08-T	34	BLP036N10-B	36	BLP04N08-BA	34	BLP07N08-B	33	BLQC16N120-Z	49	BLR230	31
BLM30P04-E	41	BLP022N10-BA	37	BLP036N10-P	36	BLP04N08-P	34	BLP07N08-D	33	BLQC20J120-F	49	BLR233	31
BLM30P04-R	41	BLP023N10-B	37	BLP036N11-T	37	BLP04N10-B	36	BLP07N08-P	33	BLQC20J65-FD/F	49	BLR240	31
BLM3400	38	BLP023N10-BA	37	BLP036N14-B	37	BLP04N10-P	36	BLP07N11L-Q	37	BLQC40N120-Z/BE	49	BLR250	31
BLM3401	41	BLP023N10-F	37	BLP036N14-P	37	BLP04N11-B	37	BLP08N10G-D	35	BLQC45N65-Z/BG	49	BLR312	31
BLM3404	38	BLP023N10-P	37	BLP038N10GL-D	36	BLP04N11-P	37	BLP08N10G-P	35	BLQC75N120-Z/BG	49	BLR320	31
BLM3407	41	BLP023N10-T	37	BLP038N10GL-P	36	BLP055N09G-P	35	BLP08N10G-Q	35	BLQG275T75F	47	BLR325	31
BLM35DN10L-Q	40	BLP024N10-BA	37	BLP038N10GL-Q	36	BLP055N10-B	36	BLP10N15-B	37	BLQG3040A-B	48	BLR330	31
BLM35N10-D	40	BLP024N10-T	37	BLP038N15-B	38	BLP055N10G2P-B	36	BLP10N15J-B	37	BLQG3040A-D	48	BLR333	31
BLM35N10L-D	40	BLP025N10-B	37	BLP038N15-BA	38	BLP055N10G2P-P	36	BLP10N15J-P	37	BLQG3040A-D	48	BLR340	31
BLM35N10L-P	40	BLP025N10-P	37	BLP038N15-P	38	BLP055N10-P	36	BLP10N15-P	37	BLQG3040-B	48	BLR350	31
BLM35N10-P	40	BLP026N08-B	34	BLP038N15-T	38	BLP055N10-Q	36	BLP10N20-B	38	BLQG3043-D	48	BLS60R020F	42
BLM40P04-D	41	BLP026N08-P	34	BLP039N08-B	33	BLP05N07-B	33	BLP10N20-P	38	BLQG40T120FDL5-F	47	BLS60R036	42
BLM40P04-E	41	BLP027N11-T	37	BLP039N08-D	33	BLP05N07-D	33	BLP11N10L-D	35	BLQG40T120FL5-F/O	47	BLS60R150	42
BLM40P04-R	41	BLP028N10-B	37	BLP039N08-P	33	BLP05N07-P	33	BLP11N10L-Q	35	BLQG40T65FDK-F	46	BLS60R150F	42
BLM40P04-U	41	BLP028N10-P	37	BLP039N08-Q	33	BLP05N08G-B	34	BLP12N10G-A	35	BLQG40T65FDL-F	46	BLS60R360	42
BLM40P10-D	41	BLP02N04L-Q	33	BLP03N06L-D	33	BLP05N08G-P	34	BLP12N10G-D	35	BLQG40T65FK-F	46	BLS60R380F	42
BLM40P10-P	41	BLP02N06-B	33	BLP03N06L-Q	33	BLP05N08G-Q	34	BLP12N10G-E	35	BLQG40T65FL-F	46	BLS60R520	42
BLM4407	41	BLP02N06-D	33	BLP03N08-B	34	BLP05N15-B	37	BLP12N10GL-D	35	BLQG5036-B	48	BLS60R560EF	42
BLM4435	41	BLP02N06L-D	33	BLP03N08-BA	34	BLP05N15-P	37	BLP12N10GL-E	35	BLQG50T65FCKA-F	46	BLS60R600EF	42
BLM4953	41	BLP02N06L-Q	33	BLP03N08-F	34	BLP065N08G-B	34	BLP12N10GL-Q	35	BLQG50T65FDKA-F	46	BLS65R041F	42
BLM70P06-D	41	BLP02N06-P	33	BLP03N08-P	34	BLP065N08G-D	34	BLP12N10G-P	35	BLQG50T65FDLA-F	46	BLS65R070F	42
BLM70P06-P	41	BLP02N06-Q	33	BLP03N08-T	34	BLP065N08GL-D	34	BLP12N10G-Q	35	BLQG50T65FKA-F	46	BLS65R099	42
BLM80P10-D	41	BLP02N08-B	35	BLP03N10-B	36	BLP065N08GL-E	34	BLP13N10L-D	35	BLQGMS820T75FEDL7	48	BLS65R165	42
BLM80P10-P	41	BLP02N08-BA	35	BLP03N10-BA	36	BLP065N08GL-Q	34	BLP13N10L-Q	35	BLQM07N06-D	39	BLS65R165-L	42
BLM8205E	38	BLP02N08-F	35	BLP03N10-F	36	BLP065N08G-P	34	BLP13N10L-R	35	BLQM08N06-D	39	BLS65R230T	42
BLM8205E	38	BLP02N08-P	34	BLP03N10-P	36	BLP065N08G-Q	34	BLP14N08L-D	33	BLQM10P03-E	41	BLS65R380	42
BLM90N10L-D	40	BLP02N08-T	35	BLP03N10-T	36	BLP065N10GL-D	36	BLP14N08L-Q	33	BLQM10P03-Q	41	BLS65R380T	42

Index of Part Number-4 型号索引 4

BLS65R560	42	ME2214	14	ME4032	13	ME431B	19	ME6261	10	ME8125	17	MEB78L05	11
BLS65R600F	42	ME2215	14	ME4040	19	ME431C	19	ME6262	10	ME8128	17	MEB78M05	11
BLS65R620F	42	ME2216	14	ME4052	13	ME431D	19	ME6263	10	ME8132A/B/C	17	MEDS92630	14
BLS70R180	42	ME2803	15	ME4054-N	12	ME431L	19	ME6268	10	ME8133	17	MEI2001	5
BLS70R420	42	ME2804	15	ME4055	12	ME432A	19	ME6301	9	ME8136	17	MEI3001	4
BLS70R600	42	ME2805	15	ME4055-N	12	ME432B	19	ME6301-N	9	ME8155	17	MEL7136	14
BLS80R1K0E	42	ME2805-N	15	ME4056	12	ME6118	10	ME6306	9	ME8165	17	MEL71XX	14
BLS80R760	42	ME2806	15	ME4056-N	12	ME6119	10	ME6307	9	ME8200-N	17	MEL71XX-N	14
BLS80R990	42	ME2806-N	15	ME4057	12	ME6203	10	ME6322	9	ME8206	17	MEQ431A	19
BLX85063	28	ME2807	15	ME4057-N	12	ME6206A	9	ME6330	9	ME8213	17	MEQ432A	19
BLX8563	28	ME2808	15	ME4058	12	ME6206B	9	ME6401	9	ME8224	17	MEQ6310	10
ME1117	11	ME2815	15	ME4059-N	12	ME6208	10	ME6403	16	ME8226	17	MEQDS7610	14
ME1501	15	ME2816	15	ME4064	12	ME6209	10	ME6404	16	ME8230	17	SA2530	28
ME1502	15	ME3100	3	ME4064-N	12	ME6210	10	ME6406	16	ME8311	16	SA2531	28
ME1520	21	ME3102	3	ME4069	12	ME6211	9	ME6811	9	ME8320-N	16	SA2532	28
ME2104	5	ME3103	3	ME4074	12	ME6212	9	ME6839	10	ME8321-N	16	SA8837	27
ME2107	5	ME3104-N	3	ME4075	12	ME6213	9	ME6901	18	ME8325-N	17	SA8870	27
ME2108	5	ME3106	3	ME4084	13	ME6214	10	ME7300	14	ME8327	16	ULN2003	28
ME2109	5	ME3107	3	ME4085	13	ME6215	10	ME7400	14	ME8327-N	17	ULN2003G	28
ME2110	5	ME3108	3	ME4086A	13	ME6216	9	ME7400A	14	ME8328	17	ULN2803	28
ME2129	5	ME3109	3	ME4086B	13	ME6217	9	ME7400B	14	ME8329-N	17	ULN2803L	28
ME2135	5	ME3110	3	ME4086E	13	ME6218	9	ME7400C	14	ME8411-N	18		
ME2139	5	ME3111	3	ME4094	13	ME6219	9	ME7400D	14	ME8413	18		
ME2149	5	ME3112	3	ME4095	13	ME6220	9	ME7500	14	ME8414	18		
ME2159	5	ME3113	3	ME4101	12	ME6221	10	ME7501	14	ME8415	18		
ME2167	5	ME3114	3	ME4102	12	ME6222	10	ME7660	16	ME8418	18		
ME2169	5	ME3116	4	ME4210	13	ME6226	9	ME7805	11	ME8604	18		
ME2175	5	ME3118	3	ME4211	13	ME6228	10	ME78L05	11	ME8608-N1	18		
ME2177	5	ME3120	3	ME4212	13	ME6230	9	ME78M05	11	ME8608-N2	18		
ME2185	5	ME3121	4	ME4214	13	ME6231	10	ME8103	17	ME8610	18		
ME2186	5	ME3123	4	ME4222	13	ME6232	9	ME8107A/B/C	17	ME8611	18		
ME2187	5	ME3125	4	ME4312B	19	ME6233	10	ME8112	17	ME8615	18		
ME2188	5	ME3131	4	ME4312C	19	ME6234	10	ME8113	17	ME8617	18		
ME2188-N	5	ME3136	4	ME4313B	19	ME6239	10	ME8115A/C/E	17	ME8620	18		
ME2199	5	ME3148	4	ME4313C	19	ME6241	10	ME8115B/D/F	17	ME8621	18		
ME2206-N	14	ME3162	4	ME4315	19	ME6249	10	ME8116	17	ME8624	18		
ME2209	14	ME3182	3	ME4315L	19	ME6251	9	ME8117	17	ME8628	18		
ME2212	14	ME3843	17	ME431A	19	ME6260	10	ME8123	17	ME8701	18		



上海贝岭股份有限公司

SHANGHAI BELLING CORP., LTD.

📍 上海市徐汇区宜山路810号 (200233)

☎ 86-21-24261278 📠 86-21-64852222

🌐 www.belling.com.cn

✉ marketing@belling.com.cn

上海贝岭北京分公司

📍 北京市海淀区知春路68号院领航科技大厦1号楼2层208室

☎ 18618426488

上海贝岭深圳分公司

📍 广东省深圳市南山区科发路3号中电长城大厦南塔11楼

☎ 0755-33336776

上海贝岭成都分公司

📍 四川省成都市高新区天府四街199号长虹科技大厦A座402室

☎ 18980098532

上海贝岭西安分公司

📍 陕西省西安市高新区科技二路启迪科技园T4栋1101-1102室

☎ 18706893398