

AZ762H

16 A SPDT MINIATURE HIGH TEMPERATURE POWER RELAY

FEATURES

- High ambient operating temperature (105°C)
- Dielectric strength 5000 Vrms
- Low cost
- Epoxy sealed versions available
- 16 Amp switching (standard coil only)
- Class B (130°C) standard
- Isolation spacing greater than 10 mm
- UL, CUR file E44211, VDE40006031



CONTACTS

| | |
|-------------------------------|--|
| Arrangement | SPDT (1 Form C) SPST (1 Form A) |
| Ratings | Resistive load: Max. switched power: 480 W or 4432 VA Max. switched current: 16 A Max. switched voltage: 150* VDC or 440 VAC *Note: If switching voltage is greater than 30VDC, special precautions must be taken. Please contact the factory. |
| Rated Load UL, CUR | 16 A at 277 VAC general use, 100k cycles 105°C (10A sensitive coil) |
| VDE | 16 A at 250 VAC resistive, 105°C (10A sensitive coil) 6 A at 400 VAC resistive, 105°C |
| Material | Silver nickel. Gold plating available |
| Resistance | < 50 milliohms initially (using 6 V 1 A method) |

COIL

| | |
|------------------------------------|-------------------------------------|
| Power | |
| At Pickup Voltage (typical) | 196 mW Standard 141 mW Sensitive |
| Max. Continuous Dissipation | 1.7 W at 20°C (68°F) ambient |
| Temperature Rise | 26°C (47°F) at nominal coil voltage |
| Max. Temperature | 130°C (266°F) |

GENERAL DATA

| | |
|--|--|
| Life Expectancy Mechanical Electrical | Minimum operations 1 x 10 ⁷ 1 x 10 ⁵ at 16 A 277 VAC general use |
| OperateTime (typical) | 7 ms at nominal coil voltage |
| ReleaseTime (typical) | 3 ms at nominal coil voltage (with no coil suppression) |
| Dielectric Strength (at sea level for 1 min.) | 5000 Vrms coil to contact 1000 Vrms between open contacts |
| Insulation Resistance | 1000 megohms min. at 20°C 500 VDC 50% RH |
| Dropout | Greater than 10% of nominal coil voltage |
| Ambient Temperature Operating Storage | At nominal coil voltage -40°C (-40°F) to 105°C (221°F) -40°C (-40°F) to 130°C (266°F) |
| Vibration | 0.062" DA at 10–55 Hz |
| Shock | 10 g |
| Enclosure | P.B.T. polyester |
| Terminals | Tinned copper alloy, P.C. |
| Max. Solder Temp. | 270°C (518°F) |
| Max. Solder Time | 5 seconds |
| Max. Solvent Temp. | 80°C (176°F) |
| Max. Immersion Time | 30 seconds |
| Weight | 14 grams |

NOTES

1. All values at 20°C (68°F).
2. Relay may pull in with less than "Must Operate" value.
3. Specifications subject to change without notice.



AMERICAN ZETTLER, INC.

www.azettler.com

75 COLUMBIA • ALISO VIEJO, CA 92656 • PHONE: (949) 831-5000 • FAX: (949) 831-8642 • E-MAIL: SALES@AZETTLER.COM

11/13/08W

AZ762H

RELAY ORDERING DATA

| COIL SPECIFICATIONS - STANDARD RELAYS | | | | ORDER NUMBER* | |
|---------------------------------------|------------------|---------------------|----------------------------|----------------|-----------------|
| Nominal Coil VDC | Must Operate VDC | Max. Continuous VDC | Coil Resistance $\pm 10\%$ | Unsealed | Sealed |
| 5 | 3.5 | 10.2 | 62 | AZ762H-1CB-5D | AZ762H-1CB-5DE |
| 6 | 4.2 | 12.3 | 90 | AZ762H-1CB-6D | AZ762H-1CB-6DE |
| 9 | 6.3 | 18.5 | 202 | AZ762H-1CB-5D | AZ762H-1CB-19DE |
| 12 | 8.4 | 24.7 | 360 | AZ762H-1CB-12D | AZ762H-1CB-12DE |
| 18 | 12.6 | 37.0 | 810 | AZ762H-1CB-18D | AZ762H-1CB-18DE |
| 24 | 16.8 | 49.4 | 1440 | AZ762H-1CB-24D | AZ762H-1CB-24DE |
| 48 | 33.6 | 98.0 | 5760 | AZ762H-1CB-48D | AZ762H-1CB-48DE |
| 60 | 42.0 | 112.9 | 7500 | AZ762H-1CB-60D | AZ762H-1CB-60DE |

| COIL SPECIFICATIONS - SENSITIVE RELAYS | | | | ORDER NUMBER* | |
|--|------------------|---------------------|----------------------------|-----------------|------------------|
| Nominal Coil VDC | Must Operate VDC | Max. Continuous VDC | Coil Resistance $\pm 10\%$ | Unsealed | Sealed |
| 5 | 3.75 | 10.2 | 100 | AZ762H-1CB-5DS | AZ762H-1CB-5DSE |
| 6 | 4.50 | 12.3 | 144 | AZ762H-1CB-6DS | AZ762H-1CB-6DSE |
| 9 | 6.75 | 18.5 | 324 | AZ762H-1CB-9DS | AZ762H-1CB-9DSE |
| 12 | 9.0 | 24.7 | 576 | AZ762H-1CB-12DS | AZ762H-1CB-12DSE |
| 18 | 13.5 | 37.0 | 1296 | AZ762H-1CB-18DS | AZ762H-1CB-18DSE |
| 24 | 18.0 | 49.4 | 2304 | AZ762H-1CB-24DS | AZ762H-1CB-24DSE |
| 48 | 36.0 | 98.0 | 9216 | AZ762H-1CB-48DS | AZ762H-1CB-48DSE |
| 60 | 45.0 | 112.9 | 12857 | AZ762H-1CB-60DS | AZ762H-1CB-60DSE |

* For 1 form A contacts substitute "-1AB" for "-1CB." For gold plated contacts add suffix "A."



AMERICAN ZETTLER, INC.

www.azettler.com

75 COLUMBIA • ALISO VIEJO, CA 92656 • PHONE: (949) 831-5000 • FAX: (949) 831-8642 • E-MAIL: SALES@AZETTLER.COM

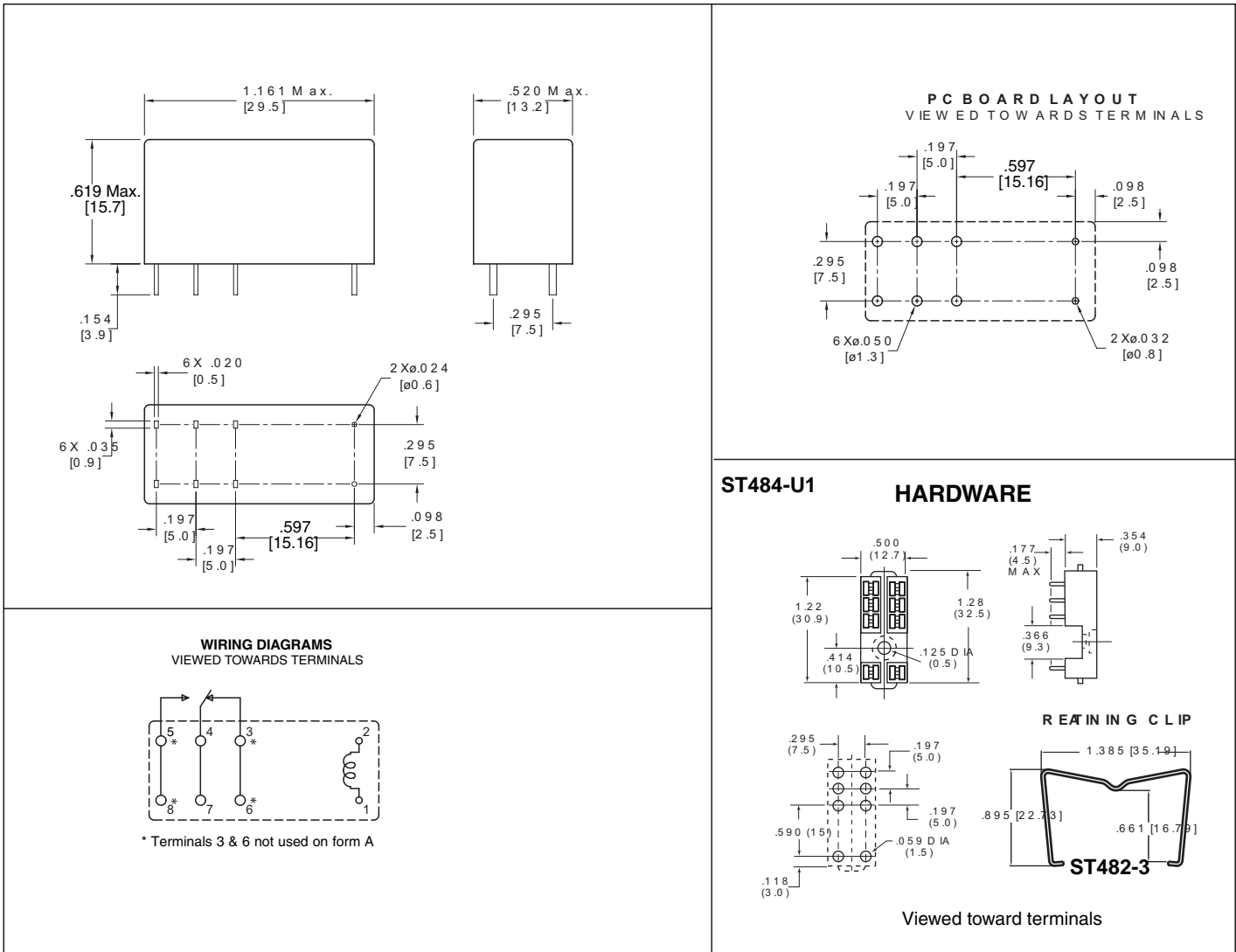
11/13/08W

AZ762H

HARDWARE ORDERING DATA

| DESCRIPTION | ORDER NUMBER | DESCRIPTION | ORDER NUMBER |
|-------------|--------------|-------------|--------------|
| Socket | ST484-U1 | Retainer | ST482-3 |

MECHANICAL DATA



Dimensions in inches with metric equivalents in parentheses. Tolerance: $\pm .010$ "



AMERICAN ZETTLER, INC.

www.azettler.com

75 COLUMBIA • ALISO VIEJO, CA 92656 • PHONE: (949) 831-5000 • FAX: (949) 831-8642 • E-MAIL: SALES@AZETTLER.COM

11/13/08W